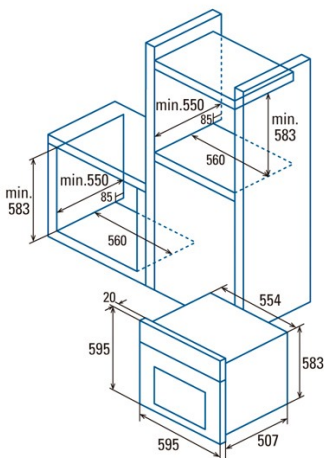




## ME 6206 X

Cod. 07007303

EAN 8422248075886



### GENERAL INFORMATION

|           |               |
|-----------|---------------|
| EAN/UPC   | 8422248075886 |
| Subfamily | Multifunction |

### Product sheet

|   |             |
|---|-------------|
| Energy Efficiency Index (EEI)                       | 102         |
| Energy efficiency class                             | A           |
| Energy consumption in conventional mode (kWh/cycle) | 0,81        |
| Energy consumption in fan mode (kWh/cycle)          | 0,89        |
| Heat source   | Electricity |
| Appliance mass [Kg]                                 | 28          |
| Number of cavities                                  | 1           |
| Cavity volume (L)                                   | 60          |

### Dimensions

|                      |     |
|----------------------|-----|
| Width (mm)           | 595 |
| Height (mm)          | 595 |
| Depth (mm)           | 507 |
| Built-in width (mm)  | 560 |
| Built-in height (mm) | 583 |
| Built-in depth (mm)  | 550 |

### Controls

|                          |   |
|--------------------------|---|
| Control type             | Mechanical  |
| Display                  | No  |
| Number of functions      | 7   |
| Functions                | Top_and_Bottom_heating_with_fan;Double grill with fan;Double Grill;Grill;Top and bottom heating;Bottom heating with fan |
| Timer                    | Mechanical  |
| On/off indicator         | -   |
| Thermostat indicator     | √   |
| Minimum temperature [°C] | 50  |
| Maximum temperature [°C] | 250   |
| Thermal probe            | -   |

### Characteristics

|                        |                  |
|------------------------|------------------|
| Cleaning               | Aquasmart Manual |
| Enamel                 | Black            |
| Drop down grill        | -                |
| Removable inner glass  | √                |
| Number of light bulbs  | 15               |
| Bulb power [W]         | 1                |
| Number of door glasses | 2                |
| Manual door lock       | -                |
| Soft close             | -                |
| Cavity type            | Flat             |
| Side racks             | √                |
| Levels                 | 5                |
| Telescopic guides      | No               |
| Convection fan         | √                |

### Safety

|                           |   |
|---------------------------|---|
| Cooling fan               | √ |
| Overheating protection    | √ |
| Automatic safety shutdown | √ |
| Pyrolysis door lock       | - |
| Pyrolysis lock indicator  | - |

### Electrical connection

|  |      |
|--|------|
| Power of the upper heating element [W] | 900  |
| Lower power of the heating element [W] | 1100 |

|                           |         |
|---------------------------|---------|
| Nominal voltage (V)       | 220-240 |
| Nominal frequency (Hz)    | 50/60   |
| Nominal input power (W)   | 2180    |
| Electric shock protection | Class I |
| Power cord length (m)     | 1,4     |
| Plug type                 | No plug |

---

**Accessories**

|                   |   |
|-------------------|---|
| Flat tray         | - |
| Deep tray         | √ |
| Steam tray        | - |
| Grill             | √ |
| Inner grill       | - |
| Telescopic guides | - |
| Tray handle       | - |
| Removable tank    | - |
| Pizza stone       | - |
| Roast kit         | - |

---