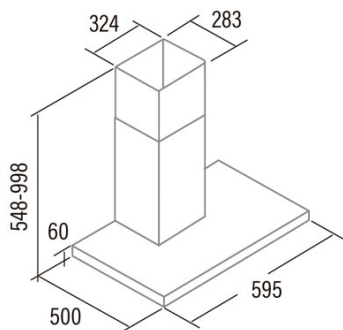




ST-6000 X

Cod. 02060309

EAN 8422248108683



GENERAL INFORMATION

| | |
|-----------|---------------|
| EAN/UPC | 8422248108683 |
| Subfamily | Box |

Product sheet according to directives EU65/2014 - EN61591, EN60704-2-13, EN50564

| | |
|---|-------|
| AEC (Annual energy consumption) (kWh/year) | 36,1 |
| EEl class (energy efficiency class) | C |
| FDE (fluid dynamic efficiency) | 9,84 |
| FDE class (fluid dynamic efficiency class) | E |
| LE (light efficiency) (lux/W) | 39,6 |
| LE class (light efficiency class) | A |
| GFE (grease filtering efficiency) | 72,14 |
| GFE class (grease filtering efficiency class) | D |
| Airflow in normal mode MIN (m3/h) | 166 |
| Airflow in normal mode MAX (m3/h) | 292 |
| Acoustic power in normal mode MIN (dB) | 58 |
| Acoustic power in normal mode MAX (dB) | 62,4 |
| Po (energy consumption in off mode) (W) | 0 |

Integration directive EU 66/2014

| | |
|--|--------|
| f (time increase factor) | 1,7 |
| EEl (Energy Efficiency Index) | 75,4 |
| QBEP (maximum efficiency at air flow point) (m3/h) | 171 |
| PBEP (maximum efficiency at pressure point) (Pa) | 114,29 |
| WBEP (power consumption at maximum efficiency) (W) | 57,27 |
| WL (nominal power lighting system) (W) | 2 |
| EMIDDLE (Average illuminance on the cooking surface) (lux) | 79 |

External Dimensions

| | |
|---------------------------|-----|
| Width (mm) | 600 |
| Depth (mm) | 500 |
| Maximum total height (mm) | 998 |
| Minimum total height (mm) | 548 |
| Diamètre de sortie (mm) | 150 |

Characteristics

| | |
|---------------------------------------|------------------------|
| Motor quantity | 1 |
| Motor model | TT300 |
| Filter technology | Aluminium mesh |
| Control technology | Mechanical push button |
| Booster | - |
| Power levels | 3 |
| Timer | - |
| Filter saturation indicator | - |
| Charcoal filter replacement indicator | - |
| Dimmer function | - |
| Connectivity | No |
| Remote control | - |
| Display | - |

Lighting

| | |
|----------------|--------------|
| Light model | ECOLED STRIP |
| Ray technology | LED |

Installation

| | |
|---|----------|
| Minimum distance to electric plate (mm) | 65 |
| Minimum distance to gas plate (mm) | 65 |
| Recirculation option | √ |
| Charcoal filter | - |
| Back draught shutter | Included |
| Inner shield | - |

Electric connection

| | |
|---------------------------|---------|
| Nominal voltage (V) | 220-240 |
| Nominal frequency (Hz) | 50/60 |
| Nominal input power (W) | 67 |
| Electric shock protection | Class I |
| Plug type | Type C |

Accessories

| | |
|---------------------------------|-----------|
| Upper decorative duct extension | '02863305 |
| Back draught shutter | Yes |
| Activated charcoal filter | 02859495 |
| Noiseless flexible duct | 02893002 |