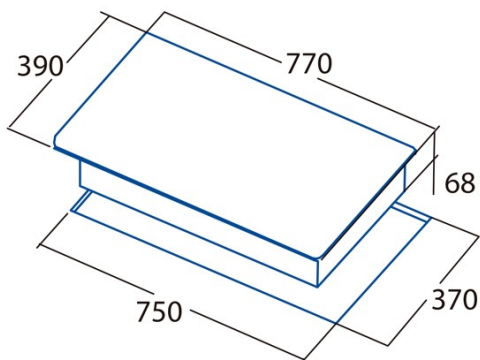




## IB 753 BK

Cod. **08081202**

EAN **8422248054478**



### GENERAL INFORMATION

|           |               |
|-----------|---------------|
| EAN/UPC   | 8422248054478 |
| Subfamily | Induction     |

### Product sheet

|                               |             |
|-------------------------------|-------------|
| Number of cooking zones       | 3           |
| Zone 1: Technology            | Induction   |
| Zone 1: Type of zone          | Simple      |
| Zone 1: Position              | Front Left  |
| Zone 1: Zone diameter (mm)    | 22          |
| Zone 1: Power (kW)            | 2,3         |
| Zone 1: Booster (kW)          | 3           |
| Zone 1: Consumption (Wh / kg) | 176,3       |
| Zone 1B: Zone diameter (mm)   | N/A         |
| Zone 1C: Zone diameter (mm)   | N/A         |
| Zone 2: Technology            | Induction   |
| Zone 2: Type of zone          | Simple      |
| Zone 2: Position              | Rear Centre |
| Zone 2: Zone diameter (mm)    | 18          |
| Zone 2: Power (kW)            | 1,4         |
| Zone 2: Consumption (Wh / kg) | 184,9       |
| Zone 2B: Zone diameter (mm)   | N/A         |
| Zone 2C: Zone diameter (mm)   | N/A         |
| Zone 3: Technology            | Induction   |
| Zone 3: Type of zone          | Simple      |
| Zone 3: Position              | Right       |
| Zone 3: Zone diameter (mm)    | 27          |
| Zone 3: Power (kW)            | 2,3         |
| Zone 3: Booster (kW)          | 3           |
| Zone 3: Consumption (Wh / kg) | 187,2       |
| Zone 3B: Zone diameter (mm)   | N/A         |
| Zone 3C: Zone diameter (mm)   | N/A         |
| Zone 4: Technology            | N/A         |
| Zone 4: Type of zone          | N/A         |
| Zone 4: Position              | N/A         |
| Zone 4: Zone diameter (mm)    | N/A         |
| Zone 4B: Zone diameter (mm)   | N/A         |
| Zone 4C: Zone diameter (mm)   | N/A         |
| Zone 5: Technology            | N/A         |
| Zone 5: Type of zone          | N/A         |
| Zone 5: Position              | N/A         |
| Zone 5: Zone diameter (mm)    | N/A         |
| Zone 5B: Zone diameter (mm)   | N/A         |
| Zone 5C: Zone diameter (mm)   | N/A         |
| Zone 6: Technology            | N/A         |
| Zone 6: Type of zone          | N/A         |
| Zone 6: Position              | N/A         |
| Zone 6: Zone diameter (mm)    | N/A         |
| Zone 6B: Zone diameter (mm)   | N/A         |
| Zone 6C: Zone diameter (mm)   | N/A         |

### Dimensions

|                          |           |
|--------------------------|-----------|
| Width (mm)               | 770       |
| Depth (mm)               | 390       |
| Built-in width (mm)      | 750       |
| Built-in depth (mm)      | 370       |
| Easy installation system | Quick Fix |

### Finishing

|          |       |
|----------|-------|
| Material | Glass |
| Bevel    | No    |
| Frame    | No    |

---

|                  |     |
|------------------|-----|
| Cooking supports | N/A |
|------------------|-----|

---

### Control

---

|                             |               |
|-----------------------------|---------------|
| Control type                | Touch control |
| Control position            | Front Centre  |
| Independent zone control    | -             |
| Hidden control              | -             |
| Power levels                | 9 + Booster   |
| Knob type                   | N/A           |
| Cooking time programming    | √             |
| Countdown alarm             | √             |
| Power management            | -             |
| Available power limits (kW) | No            |
| Connectivity                | No            |
| Autoignition                | N/A           |

---

### Safety

---

|                              |                   |
|------------------------------|-------------------|
| Safety lock                  | -                 |
| Child lock                   | Yes (Combination) |
| Residual heat indicator      | √                 |
| Automatic cookware detection | √                 |
| Smart cookware detection     | -                 |
| Automatic safety shutdown    | √                 |
| Liquid spill detection       | √                 |
| Safety valve                 | -                 |

---

### Electrical connection

---

|                           |         |
|---------------------------|---------|
| Nominal voltage (V)       | 220-240 |
| Nominal frequency (Hz)    | 50/60   |
| Nominal input power (W)   | 6,7     |
| Electric shock protection | Class I |
| Power cord length (m)     | 1       |
| Plug type                 | No plug |

---

### Accessories

---

|                |    |
|----------------|----|
| Barbecue grill | No |
|----------------|----|

---