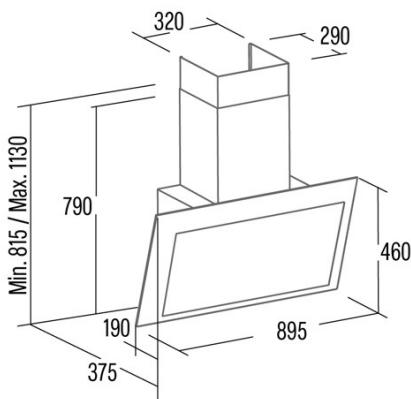




# THALASSA EVO 900 GWH

Cod. **02139008**

EAN **8422248356435**



## GENERAL INFORMATION

EAN/UPC	8422248356435
Subfamily	Angle Glass

## Product sheet according to directives EU65/2014 - EN61591, EN60704-2-13, EN50564

AEC (Annual energy consumption) (kWh/year)	28,8
EEL class (energy efficiency class)	A++
FDE (fluid dynamic efficiency)	41,7
FDE class (fluid dynamic efficiency class)	A
LE (light efficiency) (Lux/W)	21
LE class (light efficiency class)	B
GFE (grease filtering efficiency)	85,3
GFE class (grease filtering efficiency class)	B
Airflow in normal mode MIN (m3/h)	300,2
Airflow in normal mode MAX (m3/h)	624,1
Airflow in boost mode MIN (m3/h)	1016,5
Acoustic power in normal mode MIN (dB)	44,6
Acoustic power in normal mode MAX (dB)	62,1
Acoustic power boost mode (dB)	72,7
Po (energy consumption in off mode) (W)	0
Ps (energy consumption in standby mode) (W)	0,35

## Integration directive EU 66/2014

f (time increase factor)	0,5
EEL (Energy Efficiency Index)	33
QBEP (maximum efficiency at air flow point) (m3/h)	481,5
PBEP (maximum efficiency at pressure point) (Pa)	380
WBEP (power consumption at maximum efficiency) (W)	122
WL (nominal power lighting system) (W)	9
EMIDDLE (Average illuminance on the cooking surface) (lux)	187

## External Dimensions

Width (mm)	900
Depth (mm)	375
Maximum total height (mm)	1130
Minimum total height (mm)	815
Diamètre de sortie (mm)	150

## Characteristics

Motor quantity	1
Motor model	BT5DC-1000
Filter technology	Aluminium mesh
Control technology	Electronic Touch Control
Booster	√
Power levels	6
Timer	√
Filter saturation indicator	√
Charcoal filter replacement indicator	√
Dimmer function	√
Connectivity	√
Remote control	-
Display	Display

## Lighting

Light model	SSLED BICOLOR
Ray technology	LED

## Installation

Minimum distance to electric plate (mm)	550
Minimum distance to gas plate (mm)	650
Recirculation option	√

Charcoal filter	√
Back draught shutter	No
Inner shield	-

---

**Electric connection**

Nominal voltage (V)	220-240
Nominal frequency (Hz)	50/60
Nominal input power (W)	259
Electric shock protection	Class II
Power cord length (m)	1
Plug type	No plug

---

**Accessories**

Upper decorative duct extension	02861300
White decorative duct	02861001
Black decorative duct	02861401
Back draught shutter	02832004
Activated charcoal filter	02859398
Noiseless flexible duct	02893002
Recirculation kit	02800013

---