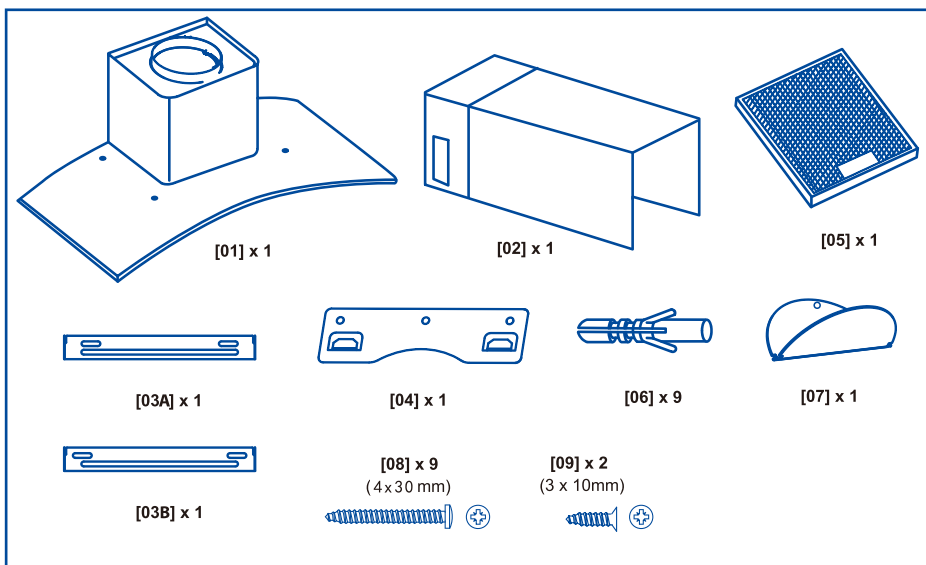
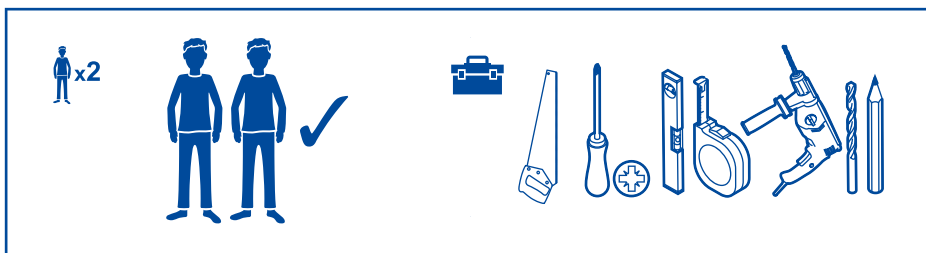
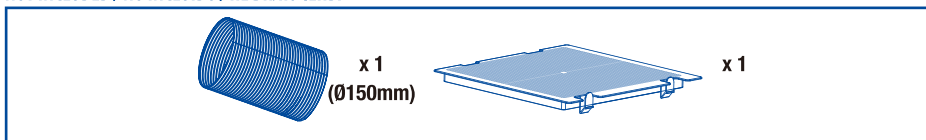


EN Installation, use and maintenance instructions
ES Instrucciones para la instalación, el uso, el mantenimiento
RU Инструкции по установке, обслуживанию и уходу
FR Instructions pour l'installation, l'utilisation, l'entretien



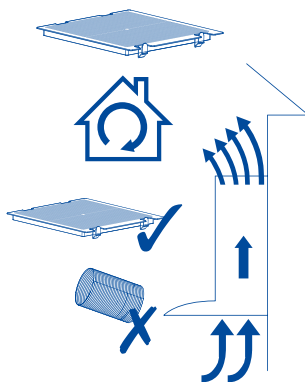
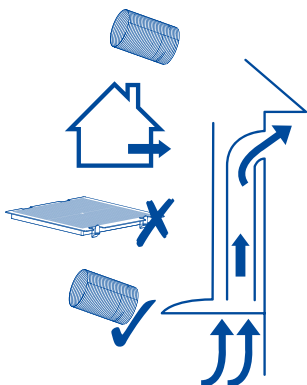


NOT INCLUDED / NO INCLUIDO / НЕ ВКЛЮЧЕНЫ

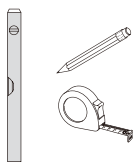




SUCTION VERSION (extraction to the outside)
 VERSIÓN DE SUCCIÓN
 РЕЖИМ ОТВОДА ВОЗДУХА

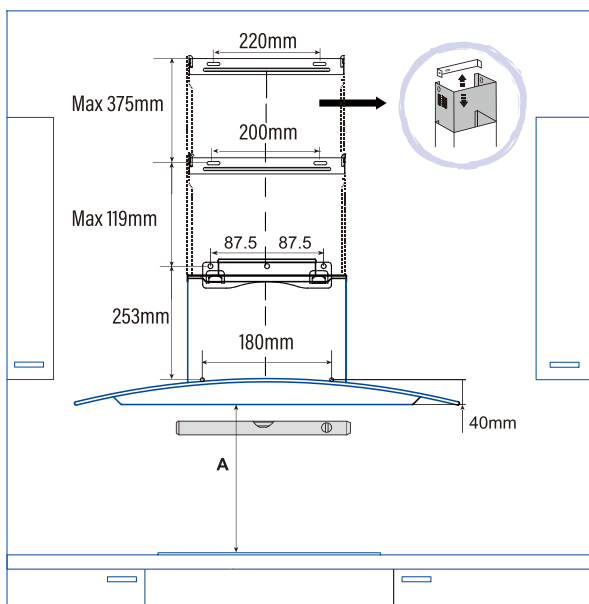
FILTERING VERSION (no extraction to the outside)
 VERSIÓN DE FILTRADO (RECICLADO INTERNO)
 ЭКСПЛУАТАЦИЯ ВЫТЯЖКИ С ФИЛЬТРОМ (ВНУТРЕННЯЯ РЕЦИРКУЛЯЦИЯ)



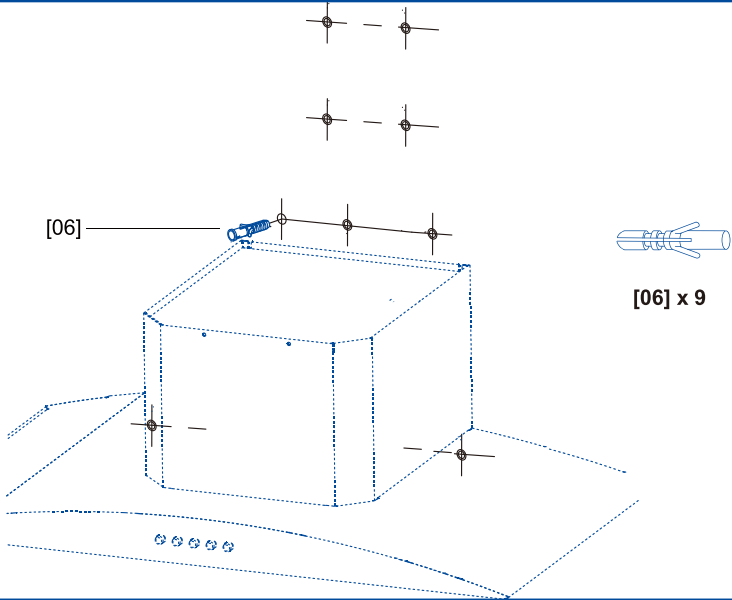
01



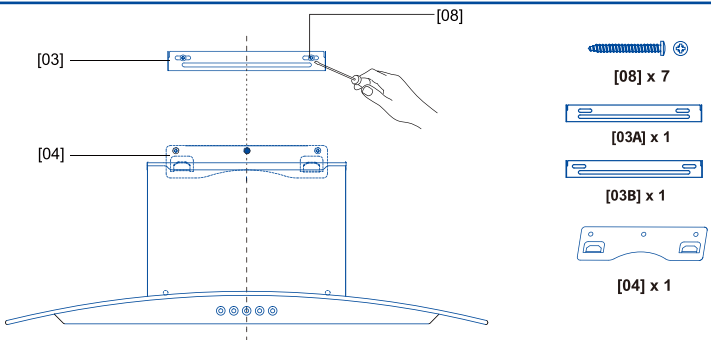
DIM.A	
	MIN. 750mm (GAS)
	MIN. 650mm (Electric)



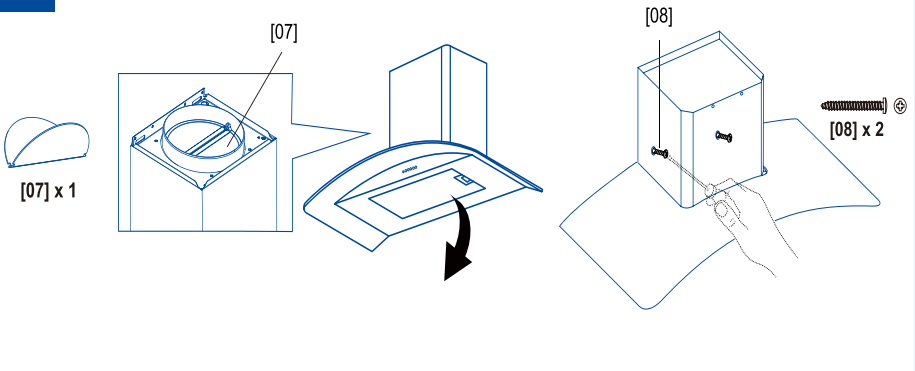
02



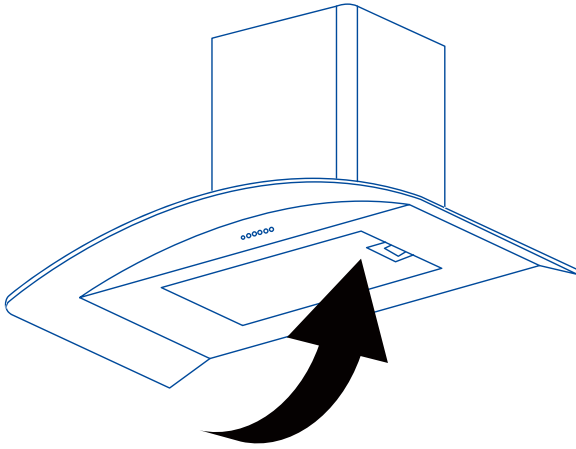
03



04

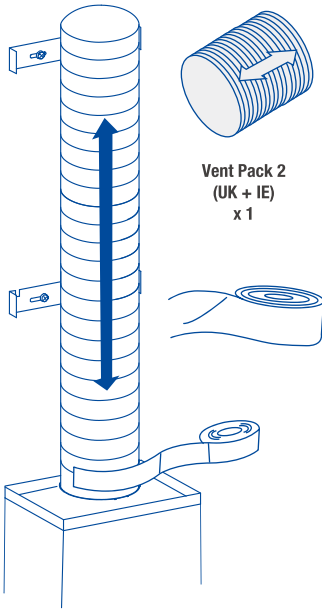


05



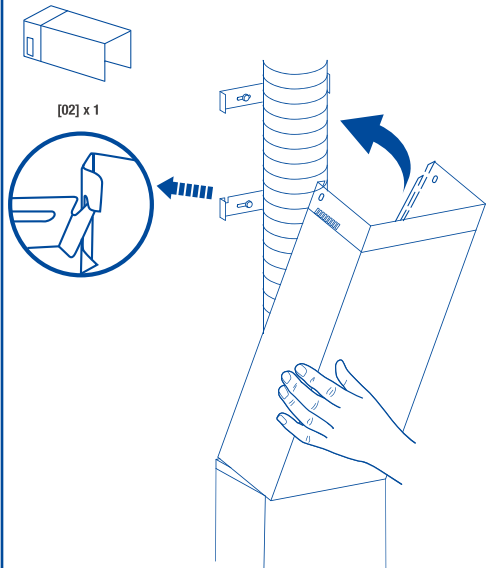
SUCTION VERSION (extraction to the outside) / VERSIÓN DE SUCCIÓN / РЕЖИМ ОТВОДА ВОЗДУХА

06



Vent Pack 2
(UK + IE)
x 1

07



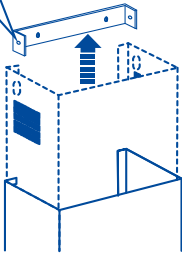
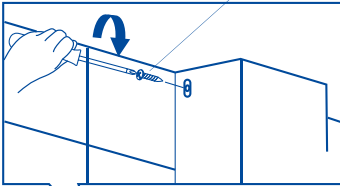
08



[09] x 2

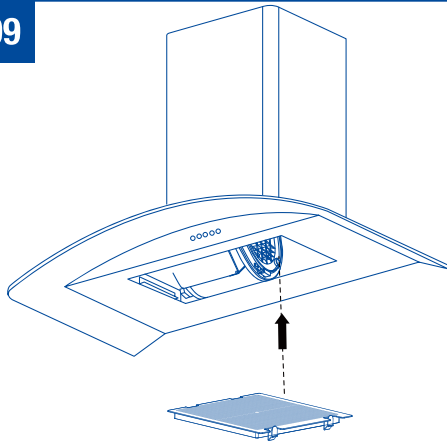


[09]

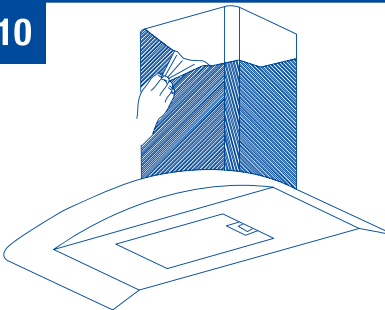


FILTERING VERSION (no extraction to the outside)
VERSIÓN DE FILTRADO (RECICLADO INTERNO)
ЭКСПЛУАТАЦИЯ ВЫТЯЖКИ С ФИЛЬТРОМ (ВНУТРЕННЯЯ РЕЦИРКУЛЯЦИЯ)

09

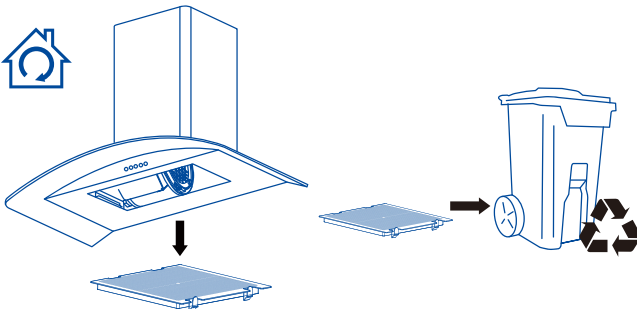


10

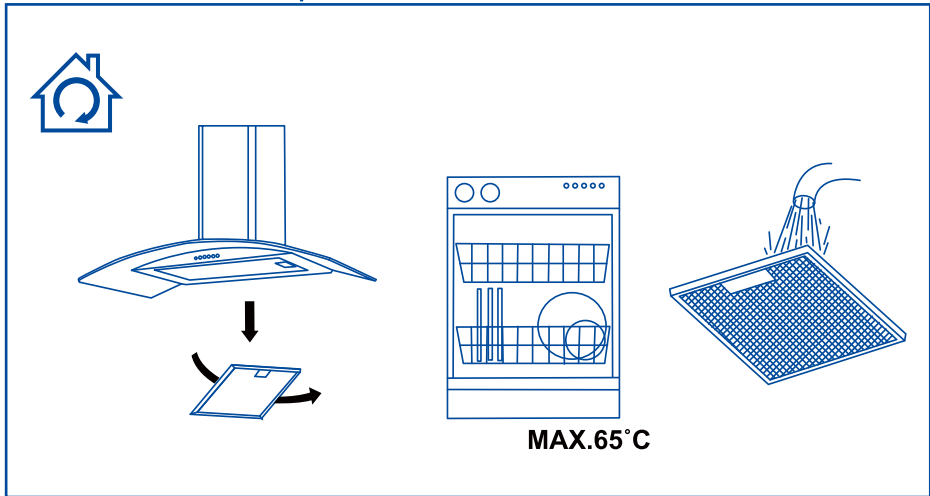


CARE & MAINTENANCE / MANTENIMIENTO DE LA CAMPANA / УХОД ЗА ВЫТЯЖКОЙ

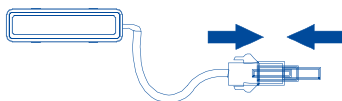
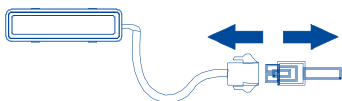
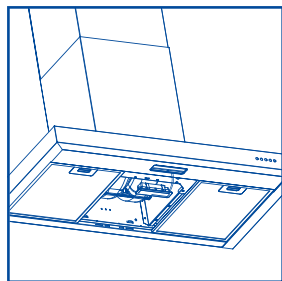
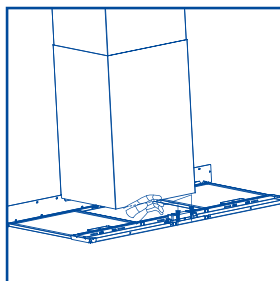
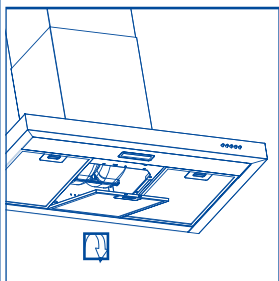
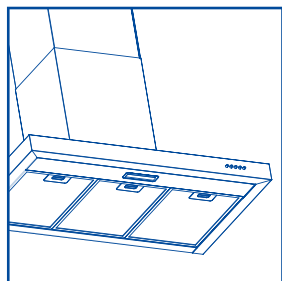
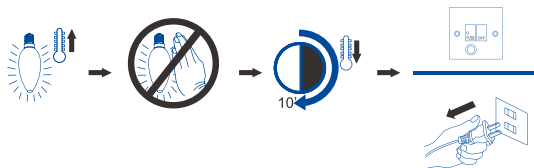
3 MONTHS / 3 MESES / 3 МЕСЯЦА



1 MONTH / 1 MES / 1 МЕСЯЦ



LAMP REPLACEMENT / REEMPLAZO LÁMPARAS / ЗАМЕНА ЛАМПЫ





Dear Customer,

Thank you for buying our hood. Please read these instructions carefully for its optimum installation, use and maintenance.

This appliance has been designed and manufactured exclusively for use at home. In order to ensure optimal installation, use and maintenance of the appliance, we recommend that you read these instructions carefully.

Check the appliance before installing it. Do not use the hood if it is damaged or faulty. If this is the case, please contact your distributor or installer.

⚠ Warning: You must comply with existing legislation on emission of fumes and environmental ventilation. Do not connect the hood to another vent for smoke, ventilation or hot air which is already being used by other appliances that are fuelled by gas or another fuel.

For optimal and safe performance, the pressure in the room should not drop by more than 4 Pa (0.04 mbar). For this purpose, sufficient permanent air inlets should be provided to prevent the premises from being sealed.

If a kitchen extractor hood and appliances fuelled by gas or another fuel are used simultaneously, there must be an appropriate ventilation system in the room.

Connecting the hood to the grid

⚠ Warning: before connecting the hood: shut off the power supply and check that the voltage and frequency supply matches that indicated on the rating plate of the equipment.

If the appliance is equipped with a plug, connect the hood to a socket located in an accessible area which is compliant with existing standards.

If the appliance is not equipped with a plug, connect the appliance directly to the power grid, protected by an omnipolar separating device which can be accessed to disconnect it, in accordance with local regulations.

If the power cable is damaged, it must be replaced by the manufacturer through its post-sale service, or by similar, qualified personnel in order to prevent danger.

Using the hood

⚠ Warning: during electrostatic discharge (e.g. a flash of lightning) the hood may stop working. This does not involve risk of damage. Shut off the power supply to the hood and re-connect it after one minute.

Children under the age of 8 years should be kept away from the appliance unless under permanent supervision.

This appliance can be used by children of 8 years and over and people with reduced physical, sensory or mental capacities or a lack of experience or knowledge, if supervised by a person responsible for their safety or if they have been given suitable instructions regarding the safe use of the appliance and they understand the risks involved. Children should not play with the appliance. The cleaning and maintenance to be performed by the user should not be carried out by unsupervised children.

To avoid the risk of fire, the metal filter should be cleaned regularly.

Containers with hot oil should be monitored continuously.

Do not set food alight under the hood.

Accessible parts may become hot when used with cooking appliances.

Legal information

The manufacturer:

- Declares that this appliance complies with the essential requirements for low-voltage electrical equipment, as set out in Directive 2014/35/EU, and electromagnetic compatibility, as set out in Directive 2014/30/EU.
- Shall not be held responsible for failure to follow the instructions given in this manual or non-compliance with safety standards relating to the correct use of the equipment.
- Shall not be held responsible for any damage caused by the incorrect installation, use or maintenance of the appliance.
- Reserves the right to make any changes to the equipment or this manual without giving prior notice.

Should you need technical assistance or additional information about our products, please contact your distributor or an official, authorised technical service.



Make sure the maximum air extraction flow rate for the appliances in the room does not exceed 4 Pa (0.04 mbar). The room must have adequate ventilation if an extractor hood is used simultaneously with appliances that run on gas or other fuels. The evacuated air must be extracted through ducts that are used for evacuating fumes from appliances that run on gas or other fuels. Regulations regarding air extraction must be complied with.

This product is intended for HOUSEHOLD USE only.

Use a rigid PVC pipe with a min. Ø 120 mm to evacuate fumes outside.

The above restrictions do not apply to hoods with no fumes outlet to outside (recirculation system with activated charcoal filter).

⚠ Warning: Failure to install the screws or fixing device in accordance with these instructions may result in electrical hazards.

Installation and connection

- This appliance is only intended for domestic use.
- Please observe the special installation instructions.
- The appliance is fitted with a plug and must only be connected to a properly installed earthed socket.
- The mains voltage must correspond to the voltage specified on the rating plate.
- The socket must be installed and connecting cable must only be replaced by a qualified electrician. If the plug is no longer accessible following installation, an all-pole disconnecting device must be present on the installation side with a contact gap of at least 3mm.
- Adapters, multi-way strips and extension leads must not be used. Overloading can result in a risk of fire.

⚠ Warning: This is a Class I appliance and **MUST** be earthed.

This appliance is supplied with a 3 core mains cable coloured as follows:

- Brown = L or Live
- Blue = N or Neutral
- Green and Yellow = E or Earth

SUCTION VERSION

If the hood is to be installed as a SUCTION hood, connect the plastic outlet piece supplied with the hood pipe for better performance and lower noise levels.

FILTERING VERSION (INTERNAL RE-CYCLING)

When there is no exhaust duct for venting out-door, you can use a carbon filter. The air is depurated by the filter and put again in the surrounding.

The air is released in the room through a connecting pipe, which goes through the hanging cupboard and is connected to the connecting ring supplied.

To use the appliance in this version, proceed as follows:

1. Open the grids / 2. Place the carbon filter / 3. Reinstall the grids.

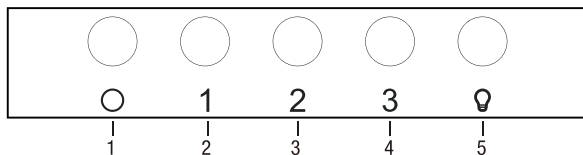
Install the hood in line with the instructions on the template.

For gas cooking appliances only: the minimum distance to the Hood must be at least 75 cm.



USE

This appliance extracts the air of the Kitchen to remove the odours and keep an optimum level of air quality inside the room, it also allows you to illuminate the cooking area.



Five-button panel

- 1- Extractor fan off.
- 2- Extractor fan speed - button: speed 1
- 3- Extractor fan speed - button: speed 2
- 4- Extractor fan speed - button: speed 3
- 5- Lighting on and off.

To obtain the best results from your cooker hood it is recommended that you leave it switched on for 15 minutes after you have finished cooking.



CARE & MAINTENANCE

⚠ Warning: always switch off the electricity supply before carrying out maintenance work on the hood. In the event of a fault, contact an official distributor or authorised dealer.

Cleaning the outside: use liquid, non-corrosive detergent and avoid using abrasive cleaning products and solvents. Do not use high-pressure or steam cleaning devices.

❗ Important: increase the filter cleaning/replacement frequency if the hood is used for more than 2 hours a day. Always use genuine filters from the manufacturer.

Carbon filter replacement

Activated charcoal filters: replace them every 3 months.

Grease cleaning

To avoid fires, clean thoroughly once a month or whenever the display pilot light indicates as such. To do so, remove the filters and wash with hot water and detergent. If using a dishwasher (metal parts may turn black without this affecting their functional capacity), load the filters vertically to avoid solid residue from being deposited.

Lamp replacement

⚠ Warning: do not handle the bulbs until the electricity supply has been switched off and they have cooled.

! Important: use new bulbs according to that indicated on the hood nameplate.

If using LED lighting, do not look directly at the light.

Use bulbs with an aluminium reflector to replace halogen bulbs. Do not use dichroic bulbs - risk of overheating.

For LED lamp replacements, please contact Technical Support or the distributor of the brand.



FAQS

Problem	Cause / Solution
The lamps do not work	A change may be necessary, but first check that the lamp is correctly positioned and that the contact is correct. Remember that lamps are not covered by the warranty. Disconnect the current hood before handling the lamps. Use lamps with the same properties described on the nameplate. It is advisable to use lamps supplied by the manufacturer of the hood.
The motor works, but it seems to have requested performance or extraction capacity	The selected speed is too low / Select a higher speed. Check the Metallic Filter (grease filter). If it has not been washed recently, it may be clogged with grease or dirt. Disassemble and wash it in hot water and detergent, and let it dry before reassembling again. Ensure that the air outlet tube has not been obstructed.
The hood works, but the smell of the food persists.	If you are using the hood in recirculation mode, the Active Carbon Filter must be replaced.
The hood does not work	Check that the hood is connected to power. Check that the fuses or automatic have not jumped.
The hood still does not work	If, after having checked the points mentioned above, your problem has not yet been solved, contact the technical service or your distributor.



GUARANTEE + WEEE

THE MANUFACTURER guarantees conformity of this product, which is designed solely and exclusively for household use, for a period of three (3) years from the date of the invoice, receipt of purchase or delivery note (in the case of distance selling) duly stating the acquired appliance. This warranty includes both parts and labour, and the travel of the technical staff of the nearest Official Service (except in the case of products which, due to their small size and mobility, should be transported by the user to the Official Technical Service).

For the application of this warranty, the consumer should contact the distributor or the Customer Service of Cata Electrodomésticos.

The Manufacturer may exercise its right of decision to repair or replace the defective product when the cost of one of the two options is considered to be disproportionate.


If repair or replacement is not possible or not appropriate, the consumer may choose a price reduction or purchase cancellation (as specified in Spanish Royal Decree Law 1/2007 or in accordance with current legislation).

“EXCLUSION CLAUSES

This warranty does not apply in the following cases:”

- Failure to follow instructions covered in the Instruction Manual.
- Misuse or normal wear and tear of the product (filters, bulbs, gaskets, rubber components, paints, varnishes, etc.).
- Tampering thereof by unauthorized persons.
- Lack of cleaning or of regular maintenance of the product.
- Breakdowns or damage caused by the chemical or electrochemical effects of water or by contact with inappropriate substances, outside of that stipulated in the Instruction Manual.
- Incidents resulting from physical breakage not attributable to a manufacturing defect (casing, glass, trim, plastics, filters, controls, etc.).

This warranty does not affect the consumer rights in accordance with current legislation.

The symbol  on the product or on its packaging indicates that this product may not be treated as household waste. Instead it shall be handed over to the applicable collection point for the recycling of electrical and electronic equipment. By ensuring this product is disposed of correctly, you will help prevent potential negative consequences for the environment and human health, which could otherwise be caused by inappropriate waste handling of this product. For more detailed information about recycling of this product, please contact your local city office, your household waste disposal service or the shop where you purchased the product.



Estimado cliente:

Agradecemos la compra de nuestra campana. Le rogamos lea atentamente estas instrucciones para una óptima instalación, uso y mantenimiento de la misma.

Este aparato ha sido diseñado y fabricado exclusivamente para uso doméstico. Compruebe el aparato antes de instalarlo. No utilice la campana si presenta daños o desperfectos, en ese caso contacte con su distribuidor o instalador.

⚠ Atención: Respete el cumplimiento de la legislación vigente sobre salida de humos y ventilación del ambiente. No conecte la campana a otro conducto de humo, aireación o aire caliente ya en uso por otros aparatos alimentados por gas u otro combustible.

Para un funcionamiento óptimo y seguro no debe superarse una depresión de 4 Pa (0,04 mbar) en el recinto. Para ello disponer de entradas de aire permanentes suficientes a fin de evitar la estanqueidad del local.

Debe estar prevista una ventilación conveniente de la habitación si se utilizan simultáneamente una campana extractora de cocina y aparatos alimentados por gas u otro combustible.

Conexión de la campana a la red

⚠ Atención: antes de conectar la campana: corte el suministro eléctrico y compruebe que la tensión y frecuencia suministrada coincide con la indicada en la placa de características del equipo.

Si el aparato está provisto de un enchufe, conecte la campana a una base de enchufes conforme a las normas vigentes situada en una zona accesible.

Si el aparato no está provisto de un enchufe, conecte el aparato directamente a la red eléctrica, protegida por un dispositivo separador accesible para su desconexión, onnipolar, acorde a la reglamentación local.

Si el cable de alimentación está dañado, debe ser sustituido por el fabricante, por su servicio posventa o por personal cualificado similar con el fin de evitar un peligro.

Uso de la campana

⚠ Atención : durante una descarga electrostática (p. ej. un rayo) la campana puede dejar de funcionar. Esto no supone riesgo de daños. Corte el suministro eléctrico de la campana y vuelva a conectar transcurrido un minuto.

Los niños menores de 8 años deben permanecer alejados a menos que estén bajo supervisión permanente.

Este aparato pueden utilizarlo niños con edad de 8 años y superior y personas con capacidades físicas, sensoriales o mentales reducidas o falta de experiencia y conocimiento, si están bajo supervisión de un responsable de su seguridad o se les ha dado las instrucciones apropiadas respecto al uso del aparato de una manera segura y comprenden los peligros que implica. Los niños no deben jugar con el aparato. La limpieza y el mantenimiento a realizar por el usuario no deben realizarlos los niños sin supervisión.

Para evitar posibles incendios limpie periódicamente el filtro metálico.

Controle permanentemente los recipientes con aceite caliente.

No flamee alimentos bajo la campana.

Las partes accesibles pueden calentarse cuando se utiliza con aparatos de cocción.

Información legal

El fabricante:

- Declara que este equipo cumple los requisitos esenciales sobre material eléctrico de baja tensión, prescritos en la directiva 2014/35/EU y de compatibilidad electromagnética prescrita por la directiva 2014/30/EU.

- No se hace responsable por la no observación de las indicaciones del presente manual y las normas de seguridad vigentes para el correcto uso del equipo.

- No se hace responsable de los daños causados por una instalación, uso o mantenimiento incorrectos del aparato.

- Se reserva el derecho de efectuar cualquier modificación sin previo aviso en el equipo o el presente manual.

Contacte con su distribuidor o un servicio técnico oficial autorizado en caso que necesite asistencia técnica o información adicional sobre nuestros productos.



INSTALACIÓN e INSTALACIÓN ELECTRICA

Debe estar prevista una ventilación conveniente de la habitación si se utilizan simultáneamente una campana extractora de cocina y aparatos alimentados por gas u otro combustible. El aire evacuado no debe ser enviado por conductos que se utilicen para evacuar los humos de aparatos alimentados por gas u otro combustible. Los reglamentos respecto a la evacuación de aire tienen que ser respetados. Este producto está pensado sólo para USO DOMÉSTICO.

Para la evacuación de humos al exterior usar un tubo de PVC rígido de mín. Ø 120 mm.

Se recomienda no colocar codos en el tubo salida, con una distancia inferior entre la salida campana y el codo de 1 metro. Las restricciones anteriores no aplican a campanas sin salida de humos al exterior (sistema de recirculación con filtro de carbón activo).

El aparato debe conectarse directamente a la red eléctrica mediante un disyuntor omnipolar con una apertura mínima de 3 mm entre los contactos.

El instalador debe garantizar una conexión eléctrica correcta y que cumpla con el esquema de cableado.

El cable no debe quedar doblado ni comprimido.

Compruebe regularmente el enchufe y el cable de alimentación en busca de daños. Si el cable de alimentación está dañado, debe ser sustituido por un cable o conjunto especial que podrá adquirir del fabricante o de su distribuidor local.

⚠ ADVERTENCIA: Este es un dispositivo de Clase I y DEBE conectarse a tierra.

Este aparato se suministra con un cable de alimentación de tres núcleos coloreados como sigue:

Marrón = L o positivo

Azul = N o negativo

Verde y amarillo = E o tierra

VERSIÓN DE SUCCIÓN

Si la campana fuera utilizada en su versión “SUCCIÓN”, conectar la pieza de plástico de salida, suministrada con la campana a un conducto de evacuación conectado directamente conel exterior.

VERSIÓN DE FILTRADO (RECICLADO INTERNO)

Cuando no existe un conducto de escape para la ventilación al exterior, puede utilizar un filtro de carbono.

El aire se depura por medio del filtro y se expulsa de nuevo en el entorno.

El aire se libera en la estancia a través de una tubería de conexión que pasa por el armario suspendido y se conecta al anillo de conexión suministrado.

Para utilizar el aparato en esta versión, proceda del modo siguiente:

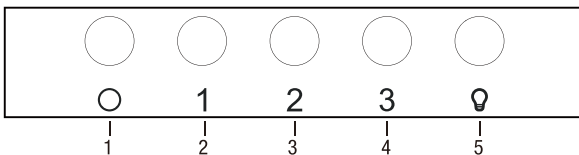
- Abra las rejillas.
- Coloque el filtro Carbón Activo.
- Coloque de nuevo las rejillas.

Sólo para aparatos de cocción a gas: La distancia mínima hasta la campana debe ser como mínimo 75 cms.



USO

Este aparato extrae los humos de la cocina para eliminar olores y mantener la calidad y nivel óptimo de aire en la habitación. El aparato también permite iluminar el área de cocinado.



Panel de cinco pulsadores

- 1- Apagado del extractor.
- 2- Velocidad del extractor - pulsador: 1º vel.
- 3- Velocidad del extractor - pulsador: 2º vel.
- 4- Velocidad del extractor - pulsador: 3º vel.
- 5- Encendido y apagado de la iluminación.

Para obtener un mejor rendimiento de su campana se recomienda dejar en funcionamiento durante al menos 15 minutos una vez acabado el cocinado.



MANTENIMIENTO DE LA CAMPANA

⚠ Atención: corte siempre el suministro eléctrico antes de realizar el mantenimiento de la campana. En caso de avería, contacte a un distribuidor oficial o un agente autorizado.

Limpieza externa: use detergente líquido, no corrosivo y evite el uso de productos de limpieza abrasivos y disolventes.

No utilizar dispositivos de limpieza por alta presión o vapor.

! Importante: aumente la frecuencia de limpieza/sustitución de filtros si la campana se usa más de 2 horas diarias. Utilice siempre filtros originales del fabricante.

Filtros de carbón activo

Deben ser reemplazados cada 3 meses.

Filtros de grasa

Para evitar posibles incendios límpielos rigurosamente una vez al mes o cuando el testigo indicador lo advierta. Para ello, desmonte los filtros y lávelos con agua caliente y detergente. No usar abrillantador. Si usa lavavajillas (podría ennegrecer las partes metálicas sin afectar a su capacidad funcional), disponga verticalmente los filtros para evitar que se depositen restos sólidos.

Reemplazo lámparas

⚠ Atención: no manipule las lámparas hasta que se haya cortado el suministro eléctrico y haya disminuido su temperatura.

! Importante: utilice lámparas nuevas de acuerdo a lo indicado en la placa de características de la campana.

En caso de iluminación LED, no fijar la vista directamente a la luz.

Utilice lámparas con reflector de aluminio para sustituir lámparas halógenas. No utilice lámparas dicroicas - riesgo de sobrecalentamiento.

Para adquirir recambios de lámparas LED contacte con el Servicio Técnico o distribuidor de la marca.



Problema	Causa / Solución
No funcionan las lámparas	Es posible que sea necesario un cambio, pero antes se debe revisar que la lámpara está correctamente colocada y que el contacto es correcto. Recuerde que las lámparas no están cubiertas por la garantía. Desconecte la campana de corriente antes de manipular las lámparas. Utilice lámparas de las mismas propiedades descritas en la placa de características. Se aconseja utilizar lámparas suministradas por el fabricante de la campana.
El motor funciona, pero parece haber perdido rendimiento o capacidad de extracción	La velocidad seleccionada es demasiado baja / Seleccionar una velocidad mayor Revisar el Filtro Metálico (filtro de grasa). Si no se ha lavado recientemente, puede estar obstruido por grasa o suciedad. Desmontarlo y lavarlo en agua caliente y detergente, y dejarlo secar antes de volver a montarlo. Asegurar que el tubo salida de aire no ha sido obstruido.
La campana funciona correctamente, pero el olor de la comida persiste.	Si está utilizando la campana en modo recirculación, el Filtro de Carbón Activo debe ser reemplazado.
La campana no funciona	Revisar que la campana está conectada a corriente. Revisar que no han saltado los fusibles o automáticos.
La campana sigue sin funcionar	Si, después de haber comprobado los puntos comentados más arriba aún no se ha solventado su problema, contacte con el servicio técnico o con su distribuidor.



EL FABRICANTE garantiza la conformidad de este producto, que ha sido diseñado para uso único y exclusivo doméstico, durante un periodo de tres (3) años, a contar desde la fecha de la factura, tique de compra o albarán de entrega (en casos de venta a distancia) donde figure debidamente el aparato adquirido.

Esta garantía incluye tanto materiales como mano de obra, y el desplazamiento del personal técnico del Servicio Oficial más próximo (excepto en el caso de productos que por su pequeño tamaño y movilidad deberá ser transportado por el usuario al Servicio Técnico Oficial).

Para la aplicación de la presente Garantía, el consumidor deberá ponerse en contacto con el distribuidor o el servicio de Atención al Cliente de Cata Electrodomésticos.

El Fabricante podrá ejercer su derecho de decisión de reparar o reemplazar el producto defectuoso cuando el coste de una de las dos opciones se considere desproporcionado.


Si la reparación o sustitución no fuese posible o apropiada, el consumidor podrá optar por una rebaja en el precio o por la cancelación de la compra según lo especificado en el RD Ley 1/2007 o según legislación vigente.

“CLAUSULAS DE EXCLUSION

La presente garantía no se aplicará en los siguientes supuestos:”

- El incumplimiento de las indicaciones reflejadas en el Manual de instrucciones.
- Uso inadecuado o desgaste normal del producto (filtros, bombillas, juntas, gomas, esmaltes, pinturas...).
- Manipulación indebida del mismo por persona no autorizada.
- Falta de limpieza o de operaciones de mantenimiento periódico del producto.
- Averías o daños causados por efectos químicos o electroquímicos del agua o por el contacto con sustancias inapropiadas, fuera de lo establecido en el manual de instrucciones.
- Incidencias derivadas de una rotura física, no atribuible a un defecto de fabricación (carcasas, cristales, embellecedores, plásticos, filtros, mandos,...).

La presente garantía no afecta a los derechos de que dispone el consumidor conforme a lo previsto según legislación vigente.

El símbolo  en el producto o en su embalaje indica que este producto no se puede tratar como desperdicios normales del hogar. Este producto se debe entregar al punto de recolección de equipos eléctricos y electrónicos para reciclaje. Al asegurarse de que este producto se deseché correctamente, usted ayudará a evitar posibles consecuencias negativas para el ambiente y la salud pública, lo cual podría ocurrir si este producto no se manipula de forma adecuada. Para obtener información más detallada sobre el reciclaje de este producto, póngase en contacto con la administración de su ciudad, con su servicio de desechos del hogar o con la tienda donde compró el producto.



Уважаемый покупатель!

Спасибо за то, что купили нашу вытяжку.

Этот прибор был разработан и изготовлен исключительно для домашнего использования. Пожалуйста, внимательно прочтите эту инструкцию для оптимальной установки, эксплуатации и технического обслуживания.

Проверьте прибор перед его установкой. Не используйте вытяжку, если выявлены повреждения или неполадки, в таком случае обратитесь к продавцу или установщику.

⚠ Внимание! Соблюдайте требования действующего законодательства относительно дымоотвода и вентиляции помещений. Не подключать вытяжку к дымоходу, вентиляционному каналу или каналу с циркуляцией горячего воздуха, которые используются другими устройствами, работающими на газе или другом топливе.

Для оптимальной и безопасной эксплуатации разрежение в помещении не должно превышать 4 Па (0,04 мбар). Для этого нужно обеспечить постоянный приток воздуха, достаточный для того, чтобы создать воздухообмен в помещении.

Если кухонная вытяжка используется одновременно с другими приборами, работающими на газу или ином горючем топливе, тогда нужно обеспечить достаточную вентиляцию помещения.

Подключение вытяжки к сети

⚠ Внимание! Перед подключением вытяжки выключите электропитание и убедитесь, что напряжение и частота подаваемого тока соответствуют тем, которые указаны на заводской табличке с характеристиками оборудования.

Если устройство снабжено вилок, подключите вытяжку к розетке, которая соответствует действующим стандартам и расположена в доступном месте.

Если устройство не снабжено вилок, подключите прибор непосредственно к электросети, защищенной многополярным прерывающим устройством, который расположен так, чтобы его можно было легко отключить, и который соответствует местным нормам и правилам.

Если кабель питания поврежден, то во избежание опасности необходимо, чтобы производитель, его сервисная служба или аналогичный квалифицированный персонал заменили этот кабель.

Использование вытяжки -- Безопасность

⚠ Внимание! Во время электростатического разряда (например, молнии) вытяжка может прекратить работать. Это делается для того, чтобы избежать риска повреждений. Отключите электропитание вытяжки и снова включите через одну минуту.

Детей младше 8 лет нельзя подпускать к этому аппарату, если только они не находятся под постоянным присмотром взрослых.

Этим аппаратом могут пользоваться дети в возрасте старше 8 лет и лица с ограниченными физическими, сенсорными или умственными способностями или с недостатком опыта и знаний, только если они находятся под наблюдением лица, ответственного за их безопасность, или были соответствующим образом проинструктированы относительно безопасного использования этого устройства и понимают опасности, связанные с ним. Дети не должны играть с аппаратом. Чистка и техническое обслуживание не должны выполняться детьми, если они не находятся под присмотром взрослого.

Для того чтобы предотвратить возможные возгорания, периодически очищайте металлический фильтр.

Постоянно контролируйте емкости с горячим маслом.

Не готовьте пищу на открытом пламени под вытяжкой. Некоторые аппараты для приготовления пищи могут вызывать нагрев доступных частей вытяжки.

Официальная информация

Производитель:

- Заявляет, что данное устройство отвечает основным требованиям к электрическому оборудованию низкого напряжения, приведенным в директиве 2014/35/EU, и требованиям по электромагнитной совместимости, приведенным в директиве 2014/30/EU.

- Не несет ответственности за несоблюдение инструкций данного руководства и правил техники безопасности для правильного использования данного оборудования.

- Не несет ответственности за любой ущерб, вызванный неправильной установкой, эксплуатацией и техническим обслуживанием этого устройства.

- Оставляет за собой право без предварительного уведомления производить модификацию этого оборудования и вносить любые изменения в данное руководство по эксплуатации.

Обратитесь к продавцу или в авторизованный сервисный центр, чтобы получить техническую поддержку или дополнительную информацию о наших продуктах.



УСТАНОВКА И ЭЛЕКТРОМОНТАЖ

Если кухонная вытяжка используется одновременно с другими приборами, работающими на газу или ином горючем топливе, тогда нужно обеспечить достаточную вентиляцию помещения.

Соблюдайте требования действующего законодательства относительно дымоотвода и вентиляции помещений. Не подключать вытяжку к дымоходу, вентиляционному каналу или каналу с циркуляцией горячего воздуха, которые используются другими устройствами, работающими на газе или другом топливе.

Этот прибор был разработан и изготовлен исключительно для домашнего использования. Для вывода воздуха используйте жёсткую трубу из ПВХ диаметром минимум 120 мм. Не рекомендуется устанавливать колена на воздухоотводе, если расстояние между выходом из вытяжки и коленом меньше 1 метра. Приведенные выше ограничения не относятся к вытяжным устройствам без вывода отходящего воздуха наружу (системы рециркуляции с фильтрами, содержащими активированный уголь).

Перед подключением вытяжки выключите электропитание и убедитесь, что напряжение и частота подаваемого тока соответствуют тем, которые указаны на заводской табличке с характеристиками оборудования. Если устройство снабжено вилкой, подключите вытяжку к розетке, которая соответствует действующим стандартам и расположена в доступном месте. Если устройство не снабжено вилкой, подключите прибор непосредственно к электросети, защищенной многополярным прерывающим устройством, который расположен так, чтобы его можно было легко отключить, и который соответствует местным нормам и правилам.

Если кабель питания поврежден, то во избежание опасности необходимо, чтобы производитель, его сервисная служба или аналогичный квалифицированный персонал заменили этот кабель.

⚠ Если у вытяжки есть вилка, вставьте её в доступную розетку в соответствии с применимыми правилами.

Подключение к электросети должно осуществляться следующим образом:

СИНИЙ ПРОВОД«N» НЕЙТРАЛЬ

КОРИЧНЕВЫЙ ПРОВОД«L» ФАЗА

ЗЕЛЁНЫЙ И ЖЁЛТЫЙ ПРОВОДА(символ Земли) ЗАЗЕМЛЕНИЕ

Если на штепсельной вилке нет маркировки, или если у Вас возникают сомнения, обратитесь к квалифицированному электрику.

РЕЖИМ ОТВОДА ВОЗДУХА

Для подключения вытяжки к воздуховоду (для отвода воздуха) подсоедините выходной патрубок, входящий в комплектацию вытяжки

ЭКСПЛУАТАЦИЯ ВЫТЯЖКИ С ФИЛЬТРОМ (ВНУТРЕННЯЯ РЕЦИРКУЛЯЦИЯ)

При отсутствии воздуховода можно использовать угольный фильтр. Фильтр очищает воздух, и через соединительный патрубок он снова попадает в помещение уже без примесей и запахов. Соединительный патрубок устанавливается внутри навесного шкафа и подсоединяется к соединительному кольцу, входящему в комплектацию вытяжки.

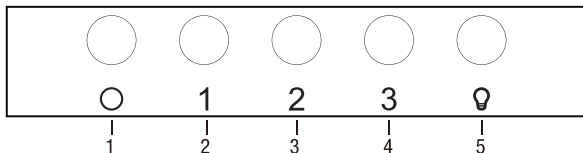
Для эксплуатации вытяжки в режиме рециркуляции Вам необходимо:

- открыть решётку
- необходимо удалить винт.
- закрыть решётку.

Расстояние от вытяжки до газовых приборов должно составлять минимум 75 см.



Этот прибор удаляет пары из кухни, чтобы устранить запахи и поддерживать качество и оптимальный уровень воздуха в комнате. Прибор также позволяет освещать зону приготовления пищи.



Кнопочная панель

- 1- Выключение вытяжного вентилятора.
- 2- Скорость вытяжного вентилятора: кнопки – скорости 1
- 3- Скорость вытяжного вентилятора: кнопки – скорости 2
- 4- Скорость вытяжного вентилятора: кнопки – скорости 3
- 5- Включение и выключение освещения.

Чтобы получить максимальную производительность от вытяжки, рекомендуется оставить ее включенной как минимум на 15 минут после завершения приготовления.



ТЕХНИЧЕСКОЕ ОБСЛУЖИВАНИЕ ВЫТЯЖНОГО УСТРОЙСТВА

⚠ Внимание! всегда отключайте подачу электропитания перед выполнением работ по обслуживанию вытяжного устройства. В случае неисправности свяжитесь с официальным поставщиком или полномочным дилером.

Очистка внешних поверхностей: используйте неагрессивные жидкие моющие средства, избегайте применения абразивных чистящих средств.

! Важное замечание: очищайте или заменяйте фильтры чаще, чем указано выше, если вытяжное устройство используется более 2 часов в день. Всегда применяйте настоящие фильтры от производителя.

Фильтры с активированным углем

заменяйте через каждые 3 месяца.

Масляные фильтры

во избежание возгорания выполняйте полную очистку ежемесячно или по мере появления соответствующей индикации на дисплее. Очистка заключается в снятии и промывке фильтров горячей водой с моющим средством. Не использовать полироль для очистки или наведения блеска. При использовании моечной машины размещайте фильтры вертикально для удаления твердых частиц, осевших на фильтре.

Замена лампы

⚠ Внимание! Не трогайте лампу, пока она не остыла и если не отключено электропитание.

! Важное замечание используйте новую лампу того типа, который указан на паспортной табличке вытяжного устройства.

В случае светодиодного освещения не смотрите прямо на свет. Для замены галогенных ламп используйте лампы с алюминиевым отражателем. Не используйте диодные лампы - опасность перегрева. Для приобретения запасных частей для светодиодных ламп обратитесь в Сервис Техник или дистрибьютор бренда.



FAQS

Проблема	Причина / Решение
Лампы не работают	Может потребоваться изменение, но сначала убедитесь, что лампа установлена правильно и контакт правильный. Помните, что на лампы не распространяется гарантия. Перед работой с лампами отсоедините крышку электропитания. Используйте лампы с такими же свойствами, как описано в шильдик Рекомендуется использовать лампы, поставляемые производителем колпака.
Двигатель работает, но, кажется, есть выполнение заказа или емкость добыча	Выбранная скорость слишком низкая / Выберите более высокую скорость. Проверьте металлический фильтр (жировой фильтр). Если он не был недавно вымыт, он может быть забит смазкой или грязью. Разберите его и вымойте в горячей воде с моющим средством и дайте ему высохнуть перед сборкой. Убедитесь, что воздуховыпускная труба не закрыта.
Капюшон работает нормально, но запах еды сохраняется.	Если вы используете вытяжку в режиме рециркуляции, Фильтр с активированным углем должен быть заменен
Капот не работает	Убедитесь, что капот подключен к источнику питания. Убедитесь, что предохранители или автоматические выключатели не сработали.
Капот до сих пор не работает	Если после проверки указанных выше пунктов ваша проблема все еще не решена, обратитесь в службу технической поддержки или к вашему дилеру.



ИЗГОТОВИТЕЛЬ гарантирует надлежащее функционирование данного изделия, которое разработано только и исключительно для использования в домашних условиях, на протяжении периода в три (3) года, начиная с даты счета-фактуры, товарного чека или транспортной накладной (в случае дистанционной торговли) с надлежащим описанием приобретенного изделия.

Данная гарантия включает как материалы, так и затраты на рабочую силу и выезд технического персонала ближайшего официального центра техобслуживания (за исключением товаров, которые ввиду небольшого размера и возможности транспортировки должны быть доставлены пользователем в официальный центр техобслуживания).

Для применения данной гарантии пользователю следует обратиться к дистрибьютору либо в отдел обслуживания клиентов компании Cata Electrodomésticos.

Изготовитель вправе по своему усмотрению принять решение о ремонте или замене бракованного изделия, если он сочтет непропорционально высокой стоимость одного из этих вариантов.


Если ремонт или замена окажутся невозможными или нецелесообразными, потребитель может сделать выбор между скидкой с цены товара или отменой покупки (согласно положениям Королевского законодательного декрета 1/2007 или действующему законодательству).

“ИСКЛЮЧЕНИЯ

Данная гарантия не является применимой в следующих случаях:”

- Невыполнение указаний, приведенных в руководстве по эксплуатации.
- Ненадлежащее использование либо нормальный износ изделия (фильтры, лампочки, прокладки, детали из резины, эмаль, краска и т.д.).
- Ненадлежащие манипуляции с изделием, осуществленные лицом, не имеющим на это разрешения.
- Неподдержание изделия в чистоте или невыполнение операций по его периодическому обслуживанию.
- Аварии или повреждения, нанесенные химическим или электрохимическим воздействием воды либо контактом с ненадлежащими веществами, не входящими в рамки того, что оговорено в руководстве по эксплуатации.
- Инциденты, связанные с физической поломкой, которая не вызвана дефектом изготовления (каркасы, стекла, накладки, детали из пластмассы, фильтры, ручки и т.д.).

Данная гарантия не затрагивает права, которыми наделен потребитель в соответствии с положениями Законодательного согласно действующему законодательству.

Символ  на изделии или на его упаковке указывает, что оно не подлежит утилизации в качестве бытовых отходов. Вместо этого его следует сдать в соответствующий пункт приемки электронного и электрооборудования для последующей утилизации. Соблюдая правила утилизации изделия, Вы можете предотвратить причинение окружающей среде и здоровью людей потенциального ущерба, который возможен, в противном случае, вследствие неподобающего обращения с подобными отходами. За более подробной информацией об утилизации этого изделия просьба обращаться к местным властям, в службу по вывозу и утилизации отходов или в магазин, в котором Вы приобрели изделие.



Cher client,

Merci d'avoir choisi notre hotte. Veuillez lire attentivement ces instructions qui vous assureront une installation, une utilisation et un entretien optimum de cette hotte.

Cet appareil a été conçu et fabriqué pour un usage domestique uniquement. Veuillez lire attentivement les présentes instructions afin d'en optimiser l'installation, l'utilisation et l'entretien. Vérifiez l'appareil avant de l'installer. Si la hotte est défectueuse ou endommagée, ne l'utilisez pas et contactez immédiatement votre distributeur ou installateur.

⚠ Attention : Respectez la législation en vigueur quant au système d'évacuation de fumées et à la ventilation ambiante. Ne raccordez pas la hotte à d'autres conduits d'évacuation, d'aération ou d'air chaud utilisés par d'autres appareils fonctionnant au gaz ou avec un autre combustible.

Pour assurer un fonctionnement optimal et en toute sécurité, la dépression ne doit pas dépasser 4 Pa (0,04 mbar) dans l'enceinte.

Pour cela, des entrées d'air permanentes doivent être prévues en nombre suffisant pour éviter l'étanchéité du local.

La pièce doit être pourvue d'une ventilation adéquate en cas d'utilisation simultanée d'une hotte aspirante de cuisine et d'appareils alimentés au gaz ou avec un autre combustible.

Raccordement de la hotte au réseau

⚠ Attention : Avant de raccorder la hotte, coupez le courant puis vérifiez que la tension et la fréquence du réseau correspondent à celles indiquées sur la plaque signalétique de l'appareil.

Si l'appareil est doté d'une prise mâle, branchez la hotte sur une prise femelle-conforme aux normes en vigueur et située à un endroit accessible.

Si l'appareil ne possède pas de prise, branchez-le directement sur le réseau, protégé par un dispositif de coupure omnipolaire facile d'accès pour en assurer la déconnexion et conforme à la réglementation locale.

Si le cordon d'alimentation est abîmé, il doit être remplacé par le fabricant, par le service après-vente ou par un personnel qualifié afin d'éviter les dangers.

Utilisation de la hotte

⚠ Attention : en cas de décharge électrostatique (p. ex. un éclair), la hotte peut cesser de fonctionner. Cela ne présente pas de risque de dégâts. Coupez l'alimentation électrique de la hotte et rebranchez-la au bout d'une minute.

Les enfants de moins de 8 ans doivent se tenir éloignés de l'appareil ou rester sous surveillance permanente.

Cet appareil peut être utilisé par des enfants à partir de 8 ans et par des personnes aux capacités physiques, sensorielles ou mentales réduites, ou manquant d'expérience et de connaissances, uniquement sous la surveillance d'une personne responsable de leur sécurité ou s'ils ont reçu les consignes adéquates quant à l'utilisation de l'appareil en toute sécurité et qu'ils ont compris les dangers que peut créer cet appareil. Les enfants ne doivent pas jouer avec l'appareil. Le nettoyage et l'entretien à réaliser par l'utilisateur ne doivent pas être effectués par des enfants sans surveillance.

Pour éviter de possibles incendies, nettoyez régulièrement le filtre métallique.

Contrôlez en permanence les récipients contenant de l'huile chaude.

Ne flambez pas d'aliments sous la hotte.

Les parties accessibles peuvent chauffer lorsque des appareils de cuisson sont utilisés.

Informations légales

Le fabricant :

- Déclare que le présent appareil répond aux exigences essentielles relatives au matériel électrique basse tension, décrites dans la norme 2014/35/UE et à la compatibilité électromagnétique décrite dans la norme 2014/30/UE.
- Ne sera tenu pour responsable du nonrespect des indications du présent mode d'emploi et des normes de sécurité en vigueur pour le bon usage de l'appareil.
- Ne sera tenu pour responsable des dégâts provoqués par une installation, une utilisation ou un entretien inappropriés de l'appareil.
- Se réserve le droit d'apporter des modifications sans avis préalable à l'appareil ou au présent mode d'emploi.

Contactez votre distributeur ou un ser technicien officiel agréé en cas de besoin d'assistance technique ou d'informations complémentaires sur nos produits.



Pour l'évacuation des fumées vers l'extérieur, utiliser un tuyau en PVC rigide d'un diamètre idéal de 120 mm.

Les restrictions précédentes ne concernent pas les hottes dépourvues d'évacuation vers l'extérieur (utilisation en recyclage avec filtre à charbon actif).

Installation et raccordement

- Cet appareil est conçu exclusivement pour une utilisation domestique.
- Lisez attentivement les instructions spéciales d'installation.
- L'appareil s'installe avec une prise et ne doit être raccordé qu'à une prise de terre correctement installée.
- La tension du réseau doit correspondre à celle indiquée sur la plaque signalétique.
- La prise doit être installée et le câble d'alimentation ne doit être remplacé que par un électricien qualifié. Si la prise n'est plus accessible après l'installation, un dispositif de déconnexion de tous les pôles doit être présent du côté de l'installation, avec une séparation supérieure à 3 mm.
- Des adaptateurs, des rallonges ou des multiprises ne doivent pas être utilisés. Une surcharge pourrait provoquer un incendie.

⚠ Avertissement : il s'agit d'un appareil de Classe 1. Il DOIT être raccordé à la terre.

Cet appareil est livré avec un câble secteur à 3 conducteurs, présentant les couleurs suivantes :

- Marron = L ou Phase
- Bleu = N ou neutre
- Vert et jaune = E ou Terr

OPTION DE CONDUIT

Si la hotte est utilisée en mode évacuation, raccorder l'adaptateur de sortie en plastique livrée avec la hotte au conduit d'évacuation vers l'extérieur

OPTION DE RECYCLAGE (PAS D'ÉVACUATION VERS L'EXTÉRIEUR)

Lorsqu'il n'existe pas de conduit d'évacuation pour la ventilation vers l'extérieur, un filtre à charbon (D) peut être utilisé.

L'air est purifié au moyen du filtre puis à nouveau expulsé dans l'environnement. L'air est libéré dans la pièce au travers d'une tuyauterie de connexion qui passe par l'armoire suspendue et qui est connectée à la bague de connexion fournie (A) fig.1.

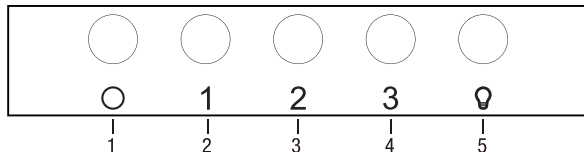
Pour utiliser l'appareil dans cette version, procéder de la façon suivante :

- Ouvrir les grilles (E).
- Placer le filtre à charbon
- Replacer les grilles.



UTILISATION

Cet appareil aspire les fumées de la cuisine pour éliminer des odeurs et maintenir une qualité et un niveau d'air optimal dans la pièce. L'appareil permet également d'éclairer la zone de cuisson.



Pupitre à cinq touches

1. Arrêt d'extraction.
2. Vitesse d'extraction. - touche : 1ère vitesses
3. Vitesse d'extraction. - touche : 2ème vitesses
4. Vitesse d'extraction. - touche : 3ème vitesses
5. Marche / arrêt de l'éclairage.

Pour obtenir un meilleur rendement de votre hotte, on recommande la laisser fonctionner pendant 15 minutes une fois la cuisson a terminée.



ENTRETIEN ET MAINTENANCE

⚠ Attention: coupez toujours l'alimentation électrique avant d'intervenir sur la hotte. En cas de défaut, contactez un distributeur officiel ou un agent agréé.

Nettoyage externe : utilisez du détergent liquide, non corrosif et évitez l'utilisation de produits de nettoyage abrasifs et de dissolvants. N'utilisez pas de dispositifs de nettoyage à haute pression ou à vapeur.

! Important: Augmentez la fréquence de nettoyage / remplacement des filtres si la hotte est utilisée plus de 2 heures par jour. Utilisez toujours des filtres d'origine du fabricant.

Filtres à charbon actif

Ils doivent être remplacés tous les trois mois.

Filtres à graisse

Il y a risque d'incendie si le nettoyage n'est pas effectué conformément aux instructions. Pour cela, démontez les filtres et lavez-les à l'eau chaude et avec du détergent neutre.

Ne pas utiliser de liquide de rinçage. Si vous utilisez un lave-vaisselle (les pièces métalliques pourraient noircir sans que leur bon fonctionnement ne soit affecté), disposez les filtres à la verticale afin d'éviter le dépôt de résidus solides.

Remplacement des ampoules

⚠ Attention: ne manipulez pas les ampoules avant d'avoir coupé l'alimentation électrique et que leur température n'ait baissé.

❗ Important: utilisez des ampoules neuves conformément à ce qui apparaît sur la plaque signalétique de la hotte.

En cas d'éclairage LED, ne regardez pas directement la lumière. Utilisez des ampoules à réflecteur en aluminium pour remplacer des ampoules halogènes. N'utilisez pas d'ampoules dichroïques - risque de surchauffe. Pour obtenir des lampes LED de rechange, contactez le Service technique ou un distributeur de la marque. En cas de panne éventuelle, avant de contacter le service technique, consultez le tableau suivant:



FAQS

Problème	Cause / Solution
Les lampes ne fonctionnent pas	Une modification peut être nécessaire, mais vérifiez d'abord que la lampe est correctement positionnée et que le contact est correct. N'oubliez pas que les lampes ne sont pas couvertes par la garantie. Débranchez le capot avant de manipuler les lampes. Utilisez des lampes ayant les mêmes propriétés que celles décrites sur la plaque signalétique. Il est conseillé d'utiliser des lampes fournies par le fabricant de la hotte.
Le moteur fonctionne, mais il semble avoir demandé des performances ou une capacité d'extraction	La vitesse sélectionnée est trop faible / Sélectionnez une vitesse plus élevée Vérifiez le filtre métallique (filtre à graisse). S'il n'a pas été lavé récemment, il peut être bouché avec de la graisse ou de la saleté. Démontez-le et lavez-le dans de l'eau chaude et du détergent, et laissez-le sécher avant de le réassembler. Assurez-vous que le tube de sortie d'air n'a pas été obstrué.
La hotte fonctionne, mais l'odeur de la nourriture persiste.	Si vous utilisez la hotte en mode recirculation, le filtre à charbon actif doit être remplacé.
La hotte ne fonctionne pas	Vérifiez que la hotte est connectée à l'alimentation. Vérifiez que les fusibles ou l'automate n'ont pas sauté.
La hotte ne fonctionne toujours pas	Si, après avoir vérifié les points mentionnés ci-dessus, votre problème n'a pas encore été résolu, contactez le service technique ou votre distributeur.



LE FABRICANT garantit la conformité de ce produit, qui est conçu pour un usage exclusivement domestique, pour une période de trois (3) ans à compter de la date de la facture, du ticket d'achat ou du bon de livraison (dans le cas d'une vente à distance) sur lequel figure l'appareil acquis.

Cette garantie inclut à la fois les matériaux, la main-d'œuvre et le déplacement du personnel technique du service officiel le plus proche (sauf dans le cas des produits de petite taille et mobiles, qui doivent être transportés par l'utilisateur au service technique officiel).

Afin d'appliquer cette garantie, le consommateur doit contacter le distributeur ou le service clientèle de Cata Electrodomésticos.

Le fabricant peut exercer son droit de décision de réparer ou de remplacer le produit défectueux lorsqu'il considère le coût de l'une des deux options comme disproportionné.


Si la réparation ou le remplacement n'est pas possible ou pas approprié, le consommateur peut choisir de bénéficier d'une réduction du prix ou d'annuler l'achat (conformément aux dispositions du Décret Royal Législatif 1/2007 ou à la législation en vigueur).

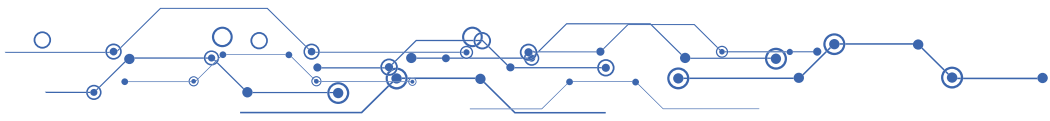
“CLAUSES D'EXCLUSION

La présente garantie ne s'applique pas dans les cas suivants :”

- Le non-respect des indications figurant dans le manuel d'instructions.
- La mauvaise utilisation ou l'usure normale du produit (filtres, ampoules, joints, pièces en caoutchouc, vernis, peintures, etc.).
- La manipulation inadéquate du produit par des personnes non autorisées.
- Le manque de nettoyage ou d'entretien régulier du produit.
- Les défauts ou dommages causés par les effets chimiques ou électrochimiques de l'eau ou par le contact avec des substances nocives qui ne sont pas stipulés dans le manuel d'instructions.
- Les incidents résultant d'une cassure physique non imputable à un défaut de fabrication (carcasses, verres, enjoliveurs, plastiques, filtres, commandes, etc.).

Cette garantie n'affecte pas les droits du consommateur stipulés conformément à la législation en vigueur.

Le symbole  sur le produit ou son emballage indique que ce produit ne peut être traité comme déchet ménager. Il doit plutôt être remis au point de ramassage concerné, se chargeant du recyclage du matériel électrique et électronique. En vous assurant que ce produit est éliminé correctement, vous favorisez la prévention des conséquences négatives pour l'environnement et la santé humaine qui, sinon, seraient le résultat d'un traitement inapproprié des déchets de ce produit. Pour obtenir plus de détails sur le recyclage de ce produit, veuillez prendre contact avec le bureau municipal de votre région, votre service d'élimination des déchets ménagers ou le magasin où vous avez acheté le produit.



CATA ELECTRODOMÉSTICOS, S.L.

Oficinas: c/ Anabel Segura, 11, Edif. A, 3a pl. 28108. Alcobendas. Madrid. España

Fábrica: c/ del Ter 2, Apdo. 9. 08570. Torelló. Barcelona. España

T. +34 938 594 100 - Fax +34 938 594 101

www.cnagroup.es - cna@cnagroup.es

Atención al Cliente: 902 410 450 / +34 938 521 818 - info@cnagroup.es

SAT Central Portugal: +351 214 349 771 - service@junis.pt