

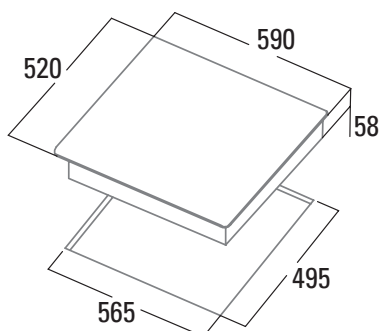
IB 6304 BK

Cod. **08040109** EAN **8422248109338**

4 cooking areas:

- Front Right: 1 area **with Booster function** of Ø160mm of 1.2kW (max. 1.5kW)
- Rear Right: 1 area **with Booster function** of Ø180mm of 1.8kW (max. 2.3kW)
- Front Left: 1 area **with Booster function** of Ø210mm of 2kW (max. 2.3kW)
- Rear Left: 1 area **with Booster function** of Ø160mm of 1.2kW (max. 1.5kW)

- Touch Control with acoustic warning
- 9 adjustable power levels + Booster
- Timer function for each area
- Countdown alarm
- Automatic pan detection
- Safety lock
- Residual heat indicator
- Automatic safety switch-off
- 59 cm wide
- Total power 7kW



Code	08040109
EAN	8422248109338
Model	IB 6304 BK
Type	Inducción
Product fiche	
Cooking zones	4
Right front zone: Diameter (mm)	160
Right front zone: Power (kW)	1,2
Right front zone: Booster (kW)	1,5
Right front zone: Consumption (Wh/kg)	195,4
Right rear zone: Diameter (mm)	180
Right rear zone: Power (kW)	1,8
Right rear zone: Booster (kW)	2,3
Right rear zone: Consumption (Wh/kg)	180,8
Central front zone: Diameter (mm)	-
Central front zone: Power (kW)	-
Central front zone: Booster (kW)	-
Central front zone: Consumption (Wh/kg)	-
Central rear zone: Diameter (mm)	-
Central rear zone: Power (kW)	-
Central rear zone: Booster (kW)	-
Central rear zone: Consumption (Wh/kg)	-
Front left zone: Diameter (mm)	210
Front left zone: Power (kW)	2
Front left zone: Booster (kW)	2,3
Front left zone: Consumption (Wh/kg)	182,9
Left rear zone: Diameter (mm)	160
Left rear zone: Power (kW)	1,2
Left rear zone: Booster (kW)	1,5
Left rear zone: Consumption (Wh/kg)	183,4
Energy consumption of the hob (Wh/kg)	185,6
Dimensions	
Product width (mm)	590
Product depth (mm)	520
Product height (mm)	58
Built-in height (mm)	565
Built-in depth (mm)	495
Ventilation slot (mm)	5
Fixing system	Quick-Fix System
Finishing	
Colour	Black
Aesthetic	Rounded
Control	
Control type	Touch
Power selection (+/-)	Centralized
Power levels	9 + Booster
Timer	Sí
Countdown alarm	No
Power management	No
Security	
Safety lock	Sí
Residual heat indicator	Sí
Automatic pan detection	Sí
Automatic safety switch-off	Sí
Protection against liquid spillage	Sí
Electrical connection	
Nominal voltage (V)	220-240
Mains frequency (Hz)	50-60
Max Product power (kW)	7