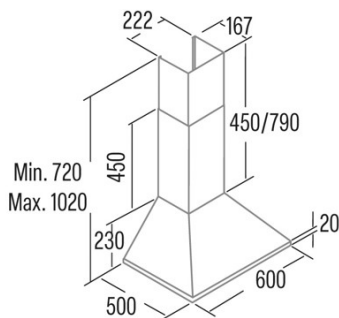




OMEGA 600 WH

Cod. 02002010

EAN 8422248109819



INFORMACIÓN GENERAL

EAN/UPC	8422248109819
Subfamily	Chimney

Product fiche according to directives EU65/2014 - EN61591, EN60704-2-13, EN50564

AEC (Energy consumption per year) (kWh/año)	95,4
EEl class (Energy efficiency class)	C
FDE (Fluid dynamic efficiency)	17,8
FDE class (Fluid dynamic efficiency class)	D
LE (Light efficiency) (lux/W)	33,3
LE class (Light efficiency class)	A
GFE (Grease filtering efficiency)	90,3
GFE Class (Grease filtering efficiency class)	B
Normal mode airflow MIN (m3/h)	385
Normal mode airflow MAX (m3/h)	645
Normal mode acustic power MIN (dB)	57,8
Normal mode acustic power MAX (dB)	71,8
Po (Off-mode power consumption) (W)	0
Ps (Stand-by power consumption) (W)	0

Integration directive EU 66/2014

f (Factor Increase in the time)	1,4
EEl (Energy efficiency Index)	81,3
QBEP (Maximum airflow point efficiency) (m3/h)	371,8
PBEP (Maximum pressure point efficiency) (Pa)	314
WBEP (Electrical power consumption at maximum efficiency) (W)	182,5
WL (Rated power lighting system) (W)	3
EMIDDLE (Average illuminance on the cooking surface) (lux)	100

External Dimensions

Width (mm)	600
Depth (mm)	500
Maximum Total Height (mm)	890
Minimum Total Height (mm)	600
Outlet Diameter (mm)	150, 125

Characteristics

Motor Quantity	1
Motor Model	TA
Maximum Pressure (Pa)	430
Filter Technology	Aluminium mesh
Control Tecnology	Mechanical push button
Booster	-
Power levels	3
Timer	-
Filter Saturation Indicator	-
Charcoal Filter Change Indicator	-
Dimmer Function	-
Connectivity	-
Remote control	-
Display	-

Lighting

Light Model	CSLED
Lightning Technology	LED

Installation

Minimum distance to an electric cooktop (mm)	650
Minimum distance to a gas cooktop (mm)	650
Recirculation Option	√

Charcoal Filter	-
Back Draught Shutter	No
Inner shield	-

Electric Connection

Rated voltage (V)	220-240
Rated frequency (Hz)	50
Rated power input (W)	273
Protection against electric shock	Class II
Power cord length (m)	0,7
Plug type	No plug

Accessories

Upper Decorative Duct Extension	2862000
White Decorative Duct	No
Black Decorative Duct	No
Island Tube Enhancer	No
Back Draught Shutter	2832001
Active Charcoal Filter	2859391
Noiseless Flexible Duct	2893002
Recirculating kit	2894000
