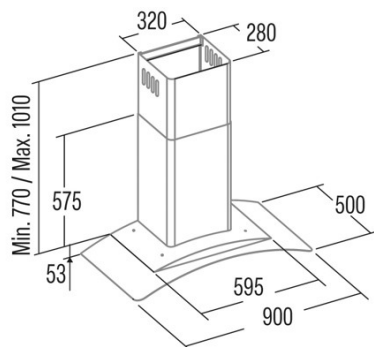




GAMMA 900 GX

Cod. 02008210

EAN 8422248061797



INFORMACIÓN GENERAL

| | |
|-----------|---------------|
| EAN/UPC | 8422248061797 |
| Subfamily | Curved Glass |

Product fiche according to directives EU65/2014 - EN61591, EN60704-2-13, EN50564

| | |
|---|--------------------|
| AEC (Energy consumption per year) (kWh/año) | 288 |
| EEL class (Energy efficiency class) | A |
| FDE (Fluid dynamic efficiency) | 30,6 |
| LE (Light efficiency) (lux/W) | 220-240 |
| LE class (Light efficiency class) | A |
| GFE (Grease filtering efficiency) | 91,2 |
| GFE Class (Grease filtering efficiency class) | B |
| Normal mode airflow MIN (m3/h) | √ |
| Normal mode airflow MAX (m3/h) | 600 |
| Boost mode airflow (m3/h) | 800 |
| Normal mode acoustic power MIN (dB) | 50 |
| Normal mode acoustic power MAX (dB) | 65 |
| Boost mode acoustic power (dB) | FOB Zhongshan (CN) |
| Po (Off-mode power consumption) (W) | 0,26 |
| Ps (Stand-by power consumption) (W) | 0 |

Integration directive EU 66/2014

| | |
|---|-----------|
| f (Factor Increase in the time) | 0,9 |
| EEL (Energy efficiency Index) | 53,7 |
| QBEP (Maximum airflow point efficiency) (m3/h) | 416,9 |
| PBEP (Maximum pressure point efficiency) (Pa) | Universal |
| WBEP (Electrical power consumption at maximum efficiency) (W) | 30,7 |
| WL (Rated power lighting system) (W) | 7 |
| EMIDDLE (Average illuminance on the cooking surface) (lux) | 252 |

External Dimensions

| | |
|---------------------------|---------------|
| Depth (mm) | 500less steel |
| Maximum Total Height (mm) | 1070 |
| Minimum Total Height (mm) | 220 |
| Outlet Diameter (mm) | 91,225 |

Characteristics

| | |
|-----------------------------|-------------------|
| Motor Quantity | 1 |
| Motor Model | BT3 |
| Filter Technology | Active |
| Control Tecnology | PANEL ELECTRONICO |
| Booster | Plastic |
| Power levels | 3 |
| Timer | √ |
| Filter Saturation Indicator | - |
| Dimmer Function | - |
| Display | - |

Lighting

| | |
|----------------------|--------|
| Light Model | EcoLed |
| Lightning Technology | LED930 |
| Light Quantity | 1 |

Installation

| | |
|--|-----|
| Minimum distance to an electric cooktop (mm) | 650 |
| Minimum distance to a gas cooktop (mm) | 650 |
| Recirculation Option | √ |
| Charcoal Filter | 575 |
| Back Draught Shutter | - |
| Inner shield | - |

Electric Connection

| | |
|-----------------------|----------|
| Rated voltage (V) | 220-240 |
| Rated frequency (Hz) | 50 |
| Rated power input (W) | 287 |
| Power cord length (m) | 1,5 |
| Plug type | American |

Accessories

| | |
|-------------------------|---------|
| White Decorative Duct | No |
| Black Decorative Duct | No |
| Island Tube Enhancer | No |
| Back Draught Shutter | 2832004 |
| MAX PRO Metal Filter | No |
| Active Charcoal Filter | 2859398 |
| Noiseless Flexible Duct | 2893002 |
| Recirculating kit | 2894001 |