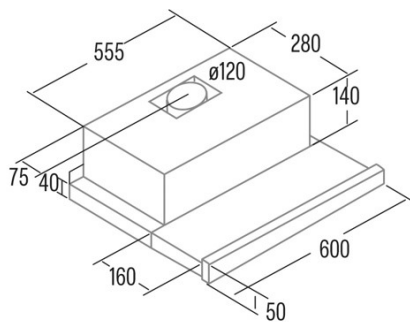




TF-2003 DURALUM 600

Cod. 02017305

EAN 8422248061988



INFORMACIÓN GENERAL

| | |
|-----------|---------------|
| EAN/UPC | 8422248061988 |
| Subfamily | Telescopic |

Product fiche according to directives EU65/2014 - EN61591, EN60704-2-13, EN50564

| | |
|---|------|
| AEC (Energy consumption per year) (kWh/año) | 44,5 |
| EEL class (Energy efficiency class) | C |
| FDE (Fluid dynamic efficiency) | 11,9 |
| FDE class (Fluid dynamic efficiency class) | E |
| LE (Light efficiency) (lux/W) | 36 |
| LE class (Light efficiency class) | A |
| GFE (Grease filtering efficiency) | 68 |
| GFE Class (Grease filtering efficiency class) | D |
| Normal mode airflow MIN (m3/h) | 150 |
| Normal mode airflow MAX (m3/h) | 390 |
| Normal mode acoustic power MIN (dB) | 45 |
| Normal mode acoustic power MAX (dB) | 57 |
| Po (Off-mode power consumption) (W) | 0 |
| Ps (Stand-by power consumption) (W) | 0 |

Integration directive EU 66/2014

| | |
|---|-------|
| f (Factor Increase in the time) | 1,6 |
| EEL (Energy efficiency Index) | 78,2 |
| QBEP (Maximum airflow point efficiency) (m3/h) | 198,2 |
| PBEP (Maximum pressure point efficiency) (Pa) | 148 |
| WBEP (Electrical power consumption at maximum efficiency) (W) | 68,6 |
| WL (Rated power lighting system) (W) | 7 |
| EMIDDLE (Average illuminance on the cooking surface) (lux) | 252 |

External Dimensions

| | |
|---------------------------|-----|
| Width (mm) | 600 |
| Depth (mm) | 280 |
| Maximum Total Height (mm) | 180 |
| Minimum Total Height (mm) | 180 |
| Outlet Diameter (mm) | 120 |

Characteristics

| | |
|----------------------------------|--------------------------|
| Motor Quantity | 1 |
| Motor Model | TF2003 |
| Maximum Pressure (Pa) | 194 |
| Filter Technology | Aluminium mesh |
| Control Technology | Mechanical rocker switch |
| Booster | - |
| Power levels | 2 |
| Timer | - |
| Filter Saturation Indicator | - |
| Charcoal Filter Change Indicator | - |
| Dimmer Function | - |
| Connectivity | - |
| Remote control | - |
| Display | - |

Lighting

| | |
|----------------------|--------|
| Light Model | EcoLed |
| Lightning Technology | LED |

Installation

| | |
|--|-----|
| Minimum distance to an electric cooktop (mm) | 550 |
| Minimum distance to a gas cooktop (mm) | 650 |
| Recirculation Option | √ |

| | |
|----------------------|---|
| Charcoal Filter | - |
| Back Draught Shutter | - |
| Inner shield | √ |

Electric Connection

| | |
|-----------------------------------|---------|
| Rated voltage (V) | 220-240 |
| Rated frequency (Hz) | 50 |
| Rated power input (W) | 107 |
| Protection against electric shock | Class I |
| Power cord length (m) | 1,5 |
| Plug type | No plug |

Accessories

| | |
|---------------------------------|---------|
| Upper Decorative Duct Extension | No |
| White Decorative Duct | No |
| Black Decorative Duct | No |
| Island Tube Enhancer | No |
| Back Draught Shutter | 2849003 |
| MAX PRO Metal Filter | No |
| Active Charcoal Filter | 2825263 |
| Noiseless Flexible Duct | No |
| Recirculating kit | No |
