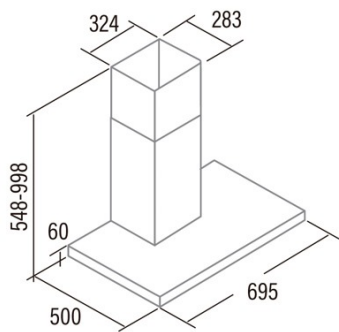




# ST-7000 X

Cod. 02021309

EAN 8422248108690



## INFORMACIÓN GENERAL

EAN/UPC	8422248108690
Subfamily	Box

### Product fiche according to directives EU65/2014 - EN61591, EN60704-2-13, EN50564

AEC (Energy consumption per year) (kWh/año)	36
EEl class (Energy efficiency class)	C
FDE (Fluid dynamic efficiency)	9,84
FDE class (Fluid dynamic efficiency class)	E
LE (Light efficiency) (lux/W)	38,9
LE class (Light efficiency class)	A
GFE (Grease filtering efficiency)	70,11
GFE Class (Grease filtering efficiency class)	D
Normal mode airflow MIN (m3/h)	161
Normal mode airflow MAX (m3/h)	294
Normal mode acustic power MIN (dB)	58
Normal mode acustic power MAX (dB)	63,5
Po (Off-mode power consumption) (W)	0

### Integration directive EU 66/2014

f (Factor Increase in the time)	1,7
EEl (Energy efficiency Index)	75
QBEP (Maximum airflow point efficiency) (m3/h)	172,17
PBEP (Maximum pressure point efficiency) (Pa)	118,37
WBEP (Electrical power consumption at maximum efficiency) (W)	57,55
WL (Rated power lighting system) (W)	2
EMIDDLE (Average illuminance on the cooking surface) (lux)	78

### External Dimensions

Width (mm)	700
Depth (mm)	500
Maximum Total Height (mm)	998
Minimum Total Height (mm)	548
Outlet Diameter (mm)	150

### Characteristics

Motor Quantity	1
Motor Model	TT300
Filter Technology	Aluminium mesh
Control Tecnology	Mechanical push button
Booster	-
Power levels	3
Timer	-
Filter Saturation Indicator	-
Charcoal Filter Change Indicator	-
Dimmer Function	-
Connectivity	No
Remote control	-
Display	-

### Lighting

Light Model	ECOLED STRIP
Lightning Technology	LED

### Installation

Minimum distance to an electric cooktop (mm)	65
Minimum distance to a gas cooktop (mm)	65
Recirculation Option	√
Charcoal Filter	-
Back Draught Shutter	Included

Inner shield -

---

**Electric Connection**

---

Rated voltage (V)	220-240
Rated frequency (Hz)	50/60
Rated power input (W)	67
Protection against electric shock	Class I
Plug type	Type C

---

**Accessories**

---

Upper Decorative Duct Extension	'02863305
Back Draught Shutter	Yes
Active Charcoal Filter	02859495
Noiseless Flexible Duct	02893002

---