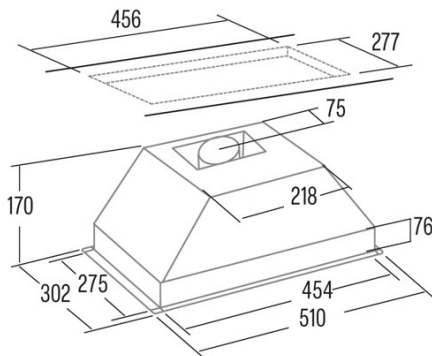




# G-45 WH

Cod. 02039005

EAN 8422248087384



## INFORMACIÓN GENERAL

EAN/UPC	8422248087384
Subfamily	Insert

### Product fiche according to directives EU65/2014 - EN61591, EN60704-2-13, EN50564

AEC (Energy consumption per year) (kWh/año)	48,6
EEl class (Energy efficiency class)	C
FDE (Fluid dynamic efficiency)	11,7
FDE class (Fluid dynamic efficiency class)	E
LE (Light efficiency) (lux/W)	8,4
LE class (Light efficiency class)	E
GFE (Grease filtering efficiency)	63
GFE Class (Grease filtering efficiency class)	E
Normal mode airflow MIN (m3/h)	162
Normal mode airflow MAX (m3/h)	335
Normal mode acustic power MIN (dB)	57
Normal mode acustic power MAX (dB)	62
Po (Off-mode power consumption) (W)	0
Ps (Stand-by power consumption) (W)	0

### Integration directive EU 66/2014

f (Factor Increase in the time)	1,6
EEl (Energy efficiency Index)	81,7
QBEP (Maximum airflow point efficiency) (m3/h)	185,2
PBEP (Maximum pressure point efficiency) (Pa)	159
WBEP (Electrical power consumption at maximum efficiency) (W)	69,4
WL (Rated power lighting system) (W)	11
EMIDDLE (Average illuminance on the cooking surface) (lux)	93

### External Dimensions

Width (mm)	510
Depth (mm)	302
Maximum Total Height (mm)	170
Minimum Total Height (mm)	170
Outlet Diameter (mm)	120

### Characteristics

Motor Quantity	1
Motor Model	TF2003
Maximum Pressure (Pa)	194
Filter Technology	Aluminium mesh
Control Tecnology	Mechanical slider
Booster	-
Power levels	2
Timer	-
Filter Saturation Indicator	-
Charcoal Filter Change Indicator	-
Dimmer Function	-
Connectivity	-
Remote control	-
Display	-

### Lighting

Light Model	LED E-14
Lightning Technology	LED

### Installation

Minimum distance to an electric cooktop (mm)	550
Minimum distance to a gas cooktop (mm)	650
Recirculation Option	√

Charcoal Filter	-
Back Draught Shutter	-
Inner shield	-

---

#### **Electric Connection**

Rated voltage (V)	220-240
Rated frequency (Hz)	50
Rated power input (W)	111
Protection against electric shock	Class I
Power cord length (m)	1,5
Plug type	No plug

---

#### **Accessories**

Upper Decorative Duct Extension	No
White Decorative Duct	No
Black Decorative Duct	No
Island Tube Enhancer	No
Back Draught Shutter	2849003
MAX PRO Metal Filter	No
Active Charcoal Filter	2825263
Noiseless Flexible Duct	No
Recirculating kit	No

---