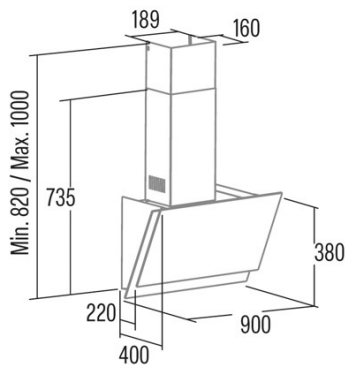




# JUNO+ 9000 GWH 220-240V 50/60Hz

Cod. 02059801

EAN 8422248355674



## INFORMACIÓN GENERAL

|           |               |
|-----------|---------------|
| EAN/UPC   | 8422248355674 |
| Subfamily | Angle Glass   |

### Product fiche according to directives EU65/2014 - EN61591, EN60704-2-13, EN50564

|                                               |      |
|-----------------------------------------------|------|
| AEC (Energy consumption per year) (kWh/año)   | 23,1 |
| EEl class (Energy efficiency class)           | A+   |
| FDE (Fluid dynamic efficiency)                | 33,5 |
| FDE class (Fluid dynamic efficiency class)    | A    |
| LE (Light efficiency) (lux/W)                 | 22,6 |
| LE class (Light efficiency class)             | B    |
| GFE (Grease filtering efficiency)             | 60,9 |
| GFE Class (Grease filtering efficiency class) | C    |
| Normal mode airflow MIN (m3/h)                | 170  |
| Normal mode airflow MAX (m3/h)                | 385  |
| Boost mode airflow (m3/h)                     | 562  |
| Normal mode acoustic power MIN (dB)           | 44   |
| Normal mode acoustic power MAX (dB)           | 61   |
| Boost mode acoustic power (dB)                | 69   |
| Po (Off-mode power consumption) (W)           | 0,27 |
| Ps (Stand-by power consumption) (W)           | 0    |

### Integration directive EU 66/2014

|                                                               |      |
|---------------------------------------------------------------|------|
| f (Factor Increase in the time)                               | 0,9  |
| EEl (Energy efficiency Index)                                 | 38,8 |
| QBEP (Maximum airflow point efficiency) (m3/h)                | 258  |
| PBEP (Maximum pressure point efficiency) (Pa)                 | 284  |
| WBEP (Electrical power consumption at maximum efficiency) (W) | 62,6 |
| WL (Rated power lighting system) (W)                          | 5    |
| EMIDDLE (Average illuminance on the cooking surface) (lux)    | 22,6 |

### External Dimensions

|                           |      |
|---------------------------|------|
| Width (mm)                | 900  |
| Depth (mm)                | 400  |
| Maximum Total Height (mm) | 1000 |
| Minimum Total Height (mm) | 820  |
| Outlet Diameter (mm)      | 150  |

### Characteristics

|                                  |                          |
|----------------------------------|--------------------------|
| Motor Quantity                   | 1                        |
| Motor Model                      | T1DC                     |
| Maximum Pressure (Pa)            | 250                      |
| Filter Technology                | Aluminium mesh           |
| Control Technology               | Electronic Touch Control |
| Booster                          | √                        |
| Power levels                     | 6                        |
| Timer                            | √                        |
| Filter Saturation Indicator      | √                        |
| Charcoal Filter Change Indicator | √                        |
| Dimmer Function                  | √                        |
| Connectivity                     | √                        |
| Remote control                   | -                        |
| Display                          | Display_grafico          |

### Lighting

|                      |       |
|----------------------|-------|
| Light Model          | SSLED |
| Lightning Technology | LED   |

### Installation

|                                              |     |
|----------------------------------------------|-----|
| Minimum distance to an electric cooktop (mm) | 500 |
|----------------------------------------------|-----|

|                                        |     |
|----------------------------------------|-----|
| Minimum distance to a gas cooktop (mm) | 650 |
| Recirculation Option                   | -   |
| Charcoal Filter                        | -   |
| Back Draught Shutter                   | No  |
| Inner shield                           | -   |

---

**Electric Connection**

|                                   |         |
|-----------------------------------|---------|
| Rated voltage (V)                 | 220-240 |
| Rated frequency (Hz)              | 50/60   |
| Rated power input (W)             | 110     |
| Protection against electric shock | Class I |
| Power cord length (m)             | 1,3     |
| Plug type                         | No plug |

---

**Accessories**

|                         |           |
|-------------------------|-----------|
| Active Charcoal Filter  | '02859394 |
| Noiseless Flexible Duct | '02859394 |

---