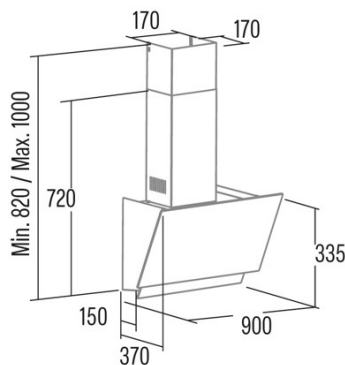




# JUNO 7000 GBK 220-240V 50/60Hz

Cod. **02078700**

EAN **8422248355605**



## INFORMACIÓN GENERAL

EAN/UPC	8422248355605
Subfamily	Angle Glass

### Product fiche according to directives EU65/2014 - EN61591, EN60704-2-13, EN50564

AEC (Energy consumption per year) (kWh/año)	459
EEl class (Energy efficiency class)	A+
FDE (Fluid dynamic efficiency)	27,6
FDE class (Fluid dynamic efficiency class)	A
LE (Light efficiency) (lux/W)	32
LE class (Light efficiency class)	A
GFE (Grease filtering efficiency)	67,9
GFE Class (Grease filtering efficiency class)	D
Normal mode airflow MIN (m3/h)	170
Normal mode airflow MAX (m3/h)	387,5
Boost mode airflow (m3/h)	428
Normal mode acoustic power MIN (dB)	80
Normal mode acoustic power MAX (dB)	64
Boost mode acoustic power (dB)	70
Po (Off-mode power consumption) (W)	0,46
Ps (Stand-by power consumption) (W)	0

### Integration directive EU 66/2014

<i>f</i> (Factor Increase in the time)	0,9
EEl (Energy efficiency Index)	402
QBEP (Maximum airflow point efficiency) (m3/h)	213
PBEP (Maximum pressure point efficiency) (Pa)	261
WBEP (Electrical power consumption at maximum efficiency) (W)	60,3
WL (Rated power lighting system) (W)	3
EMIDDLE (Average illuminance on the cooking surface) (lux)	161

### External Dimensions

Width (mm)	700
Depth (mm)	370
Maximum Total Height (mm)	1000
Minimum Total Height (mm)	820
Outlet Diameter (mm)	150

### Characteristics

Motor Quantity	1
Motor Model	EY450 400 A
Maximum Pressure (Pa)	230
Filter Technology	Aluminium mesh
Control Technology	Electronic Touch Control
Booster	√
Power levels	6
Timer	√
Filter Saturation Indicator	√
Charcoal Filter Change Indicator	√
Dimmer Function	√
Connectivity	√
Remote control	-
Display	Display_grafico

### Lighting

Light Model	CSLED
Lightning Technology	LED

### Installation

Minimum distance to an electric cooktop (mm)	400
--	-----

Minimum distance to a gas cooktop (mm)	650
Recirculation Option	√
Charcoal Filter	-
Back Draught Shutter	No
Inner shield	-

---

### Electric Connection

Rated voltage (V)	220-240
Rated frequency (Hz)	50/60
Rated power input (W)	73
Protection against electric shock	Class I
Plug type	No plug

---

### Accessories

Active Charcoal Filter	'02859488
Noiseless Flexible Duct	'02893002

---