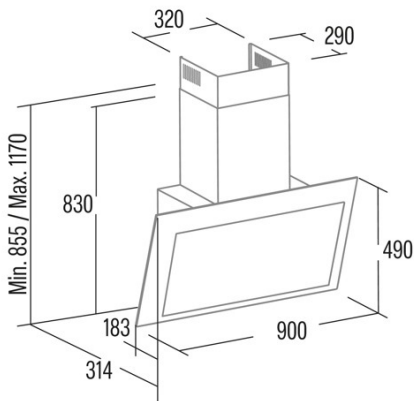
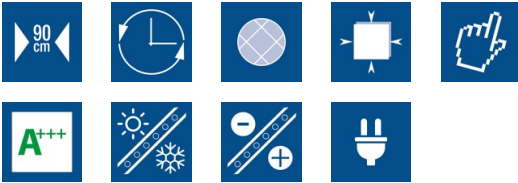




VNV90 XGBK

Cod. **02159420**

EAN **8422248343077**



INFORMACIÓN GENERAL

EAN/UPC	8422248343077
Subfamily	Angle Glass

Product fiche according to directives EU65/2014 - EN61591, EN60704-2-13, EN50564

EEl class (Energy efficiency class)	A3plus
FDE class (Fluid dynamic efficiency class)	A3plus
LE class (Light efficiency class)	A3plus

External Dimensions

Width (mm)	900
Depth (mm)	314
Maximum Total Height (mm)	1170
Minimum Total Height (mm)	855
Outlet Diameter (mm)	150, 125

Characteristics

Motor Quantity	1
Motor Model	BT4DC
Maximum Pressure (Pa)	357
Control Technology	TFT
Booster	√
Power levels	6
Timer	√
Filter Saturation Indicator	√
Charcoal Filter Change Indicator	√
Connectivity	√
Display	Display_grafico

Lighting

Light Model	SSLED BICOLOR
Lightning Technology	LED

Installation

Minimum distance to an electric cooktop (mm)	400
Minimum distance to a gas cooktop (mm)	650
Recirculation Option	√

Electric Connection

Rated voltage (V)	220-240
Rated frequency (Hz)	50
Rated power input (W)	143
Protection against electric shock	Class I