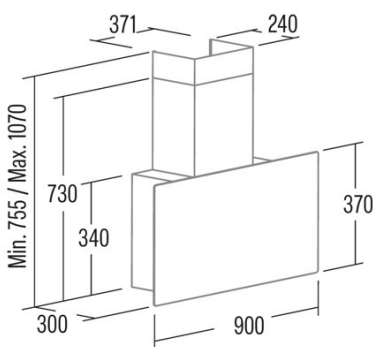




# GRECO 90 WH CATA&ROCA

Cod. 02184007

EAN 8422248084109



## INFORMACIÓN GENERAL

|           |               |
|-----------|---------------|
| EAN/UPC   | 8422248084109 |
| Subfamily | Angle Glass   |

### Product fiche according to directives EU65/2014 - EN61591, EN60704-2-13, EN50564

|   |      |
|---|------|
| AEC (Energy consumption per year) (kWh/año)   | 56,3 |
| EEl class (Energy efficiency class)           | A    |
| FDE (Fluid dynamic efficiency)                | 30,6 |
| FDE class (Fluid dynamic efficiency class)    | A    |
| LE (Light efficiency) (lux/W)                 | 28,7 |
| LE class (Light efficiency class)             | A    |
| GFE (Grease filtering efficiency)             | 91,2 |
| GFE Class (Grease filtering efficiency class) | B    |
| Normal mode airflow MIN (m3/h)                | 340  |
| Normal mode airflow MAX (m3/h)                | 600  |
| Boost mode airflow (m3/h)                     | 850  |
| Normal mode acustic power MIN (dB)            | 50   |
| Normal mode acustic power MAX (dB)            | 65   |
| Boost mode acustic power (dB)                 | 67   |
| Po (Off-mode power consumption) (W)           | 0,43 |
| Ps (Stand-by power consumption) (W)           | 0    |

### Integration directive EU 66/2014

|   |       |
|---|-------|
| f (Factor Increase in the time)                               | 0,9   |
| EEl (Energy efficiency Index)                                 | 53,7  |
| QBEP (Maximum airflow point efficiency) (m3/h)                | 416,9 |
| PBEP (Maximum pressure point efficiency) (Pa)                 | 411   |
| WBEP (Electrical power consumption at maximum efficiency) (W) | 155,7 |
| WL (Rated power lighting system) (W)                          | 7     |
| EMIDDLE (Average illuminance on the cooking surface) (lux)    | 201   |

### External Dimensions

|                           |          |
|---------------------------|----------|
| Width (mm)                | 900      |
| Depth (mm)                | 290      |
| Maximum Total Height (mm) | 1160     |
| Minimum Total Height (mm) | 845      |
| Outlet Diameter (mm)      | 150, 125 |

### Characteristics

|                                  |                          |
|----------------------------------|--------------------------|
| Motor Quantity                   | 1                        |
| Motor Model                      | BT3                      |
| Maximum Pressure (Pa)            | 450                      |
| Filter Technology                | Aluminium mesh           |
| Control Technology               | Electronic Touch Control |
| Booster                          | √                        |
| Power levels                     | 4                        |
| Timer                            | √                        |
| Filter Saturation Indicator      | √                        |
| Charcoal Filter Change Indicator | -                        |
| Dimmer Function                  | √                        |
| Connectivity                     | -                        |
| Remote control                   | -                        |
| Display                          | Display_grafico          |

### Lighting

|                      |          |
|----------------------|----------|
| Light Model          | ECOLED 2 |
| Lightning Technology | LED      |

### Installation

|  |     |
|--|-----|
| Minimum distance to an electric cooktop (mm) | 530 |
|--|-----|

|  |     |
|--|-----|
| Minimum distance to a gas cooktop (mm) | 650 |
| Recirculation Option                   | √   |
| Charcoal Filter                        | -   |
| Back Draught Shutter                   | -   |
| Inner shield                           | -   |

---

### Electric Connection

|                                   |          |
|-----------------------------------|----------|
| Rated voltage (V)                 | 220-240  |
| Rated frequency (Hz)              | 50       |
| Rated power input (W)             | 287      |
| Protection against electric shock | Class II |
| Plug type                         | Type C   |

---

### Accessories

|                                 |         |
|---------------------------------|---------|
| Upper Decorative Duct Extension | 2861303 |
| White Decorative Duct           | 2861003 |
| Black Decorative Duct           | No      |
| Island Tube Enhancer            | No      |
| Back Draught Shutter            | 2832004 |
| MAX PRO Metal Filter            | No      |
| Active Charcoal Filter          | 2859398 |
| Noiseless Flexible Duct         | 2893002 |
| Recirculating kit               | No      |

---