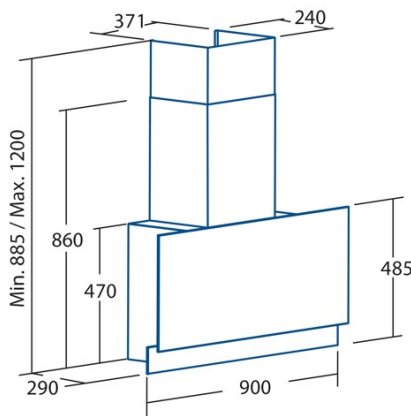




# GOYA PRO 90 BK

Cod. **02184401**

EAN **8422248080613**



## INFORMACIÓN GENERAL

EAN/UPC	8422248080613
Subfamily	Angle Glass

### Product fiche according to directives EU65/2014 - EN61591, EN60704-2-13, EN50564

AEC (Energy consumption per year) (kWh/año)	14,5
EEl class (Energy efficiency class)	APPP
FDE (Fluid dynamic efficiency)	39,7
FDE class (Fluid dynamic efficiency class)	A
LE (Light efficiency) (lux/W)	26,3
LE class (Light efficiency class)	B
GFE (Grease filtering efficiency)	75,5
GFE Class (Grease filtering efficiency class)	C
Normal mode airflow MIN (m3/h)	200
Normal mode airflow MAX (m3/h)	605
Boost mode airflow (m3/h)	825
Normal mode acoustic power MIN (dB)	40
Normal mode acoustic power MAX (dB)	64
Boost mode acoustic power (dB)	69
Po (Off-mode power consumption) (W)	0,4
Ps (Stand-by power consumption) (W)	0,4

### Integration directive EU 66/2014

f (Factor Increase in the time)	0,6
EEl (Energy efficiency Index)	29,3
QBEP (Maximum airflow point efficiency) (m3/h)	259,7
PBEP (Maximum pressure point efficiency) (Pa)	326,2
WBEP (Electrical power consumption at maximum efficiency) (W)	59,2
WL (Rated power lighting system) (W)	3
EMIDDLE (Average illuminance on the cooking surface) (lux)	79

### External Dimensions

Width (mm)	900
Depth (mm)	296
Maximum Total Height (mm)	1160
Minimum Total Height (mm)	845
Outlet Diameter (mm)	150

### Characteristics

Motor Quantity	1
Motor Model	BT4DC
Maximum Pressure (Pa)	357
Filter Technology	Aluminium mesh
Control Technology	TFT
Booster	√
Power levels	6
Timer	√
Filter Saturation Indicator	√
Charcoal Filter Change Indicator	√
Dimmer Function	√
Connectivity	√
Remote control	-
Display	TFT

### Lighting

Light Model	SSLED BICOLOR
Lightning Technology	LED

### Installation

Minimum distance to an electric cooktop (mm)	530
--	-----

Minimum distance to a gas cooktop (mm)	650
Recirculation Option	√
Charcoal Filter	-
Back Draught Shutter	-
Inner shield	-

---

### Electric Connection

Rated voltage (V)	220-240
Rated frequency (Hz)	50
Rated power input (W)	143
Protection against electric shock	Class I
Plug type	No plug

---

### Accessories

Upper Decorative Duct Extension	2861303
White Decorative Duct	No
Black Decorative Duct	2861403
Island Tube Enhancer	No
Back Draught Shutter	2832008
MAX PRO Metal Filter	No
Active Charcoal Filter	2859399
Noiseless Flexible Duct	2893002
Recirculating kit	No

---