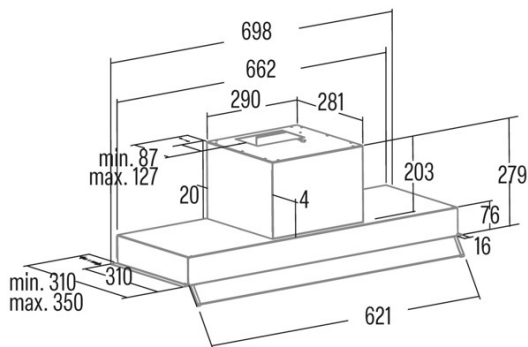




ARMONIA 70 X

Cod. **02187309**

EAN **8422248351928**



INFORMACIÓN GENERAL

| | |
|-----------|---------------|
| EAN/UPC | 8422248351928 |
| Subfamily | Integrated |

Product fiche according to directives EU65/2014 - EN61591, EN60704-2-13, EN50564

| | |
|---|-------|
| AEC (Energy consumption per year) (kWh/año) | 100,9 |
| EEl class (Energy efficiency class) | C |
| FDE (Fluid dynamic efficiency) | 16,3 |
| FDE class (Fluid dynamic efficiency class) | D |
| LE (Light efficiency) (lux/W) | 21,4 |
| LE class (Light efficiency class) | B |
| GFE (Grease filtering efficiency) | 88,5 |
| GFE Class (Grease filtering efficiency class) | B |
| Normal mode airflow MIN (m3/h) | 385 |
| Normal mode airflow MAX (m3/h) | 645 |
| Normal mode acustic power MIN (dB) | 56 |
| Normal mode acustic power MAX (dB) | 70 |
| Po (Off-mode power consumption) (W) | 0 |
| Ps (Stand-by power consumption) (W) | 0 |

Integration directive EU 66/2014

| | |
|---|-------|
| f (Factor Increase in the time) | 1,4 |
| EEl (Energy efficiency Index) | 82,4 |
| QBEP (Maximum airflow point efficiency) (m3/h) | 375,3 |
| PBEP (Maximum pressure point efficiency) (Pa) | 295 |
| WBEP (Electrical power consumption at maximum efficiency) (W) | 188,8 |
| WL (Rated power lighting system) (W) | 6 |
| EMIDDLE (Average illuminance on the cooking surface) (lux) | 269 |

External Dimensions

| | |
|---------------------------|----------|
| Width (mm) | 698 |
| Depth (mm) | 310 |
| Maximum Total Height (mm) | 280 |
| Minimum Total Height (mm) | 280 |
| Outlet Diameter (mm) | 150, 125 |

Characteristics

| | |
|----------------------------------|------------------------|
| Motor Quantity | 1 |
| Motor Model | TA |
| Maximum Pressure (Pa) | 430 |
| Filter Technology | Aluminium mesh |
| Control Tecnology | Mechanical push button |
| Booster | - |
| Power levels | 3 |
| Timer | - |
| Filter Saturation Indicator | - |
| Charcoal Filter Change Indicator | - |
| Dimmer Function | - |
| Connectivity | No |
| Remote control | - |
| Display | - |

Lighting

| | |
|----------------------|-------|
| Light Model | CSLED |
| Lightning Technology | LED |

Installation

| | |
|--|-----|
| Minimum distance to an electric cooktop (mm) | 550 |
| Minimum distance to a gas cooktop (mm) | 650 |
| Recirculation Option | - |

| | |
|----------------------|----|
| Charcoal Filter | √ |
| Back Draught Shutter | No |
| Inner shield | - |

Electric Connection

| | |
|-----------------------------------|----------|
| Rated voltage (V) | 230-240 |
| Rated frequency (Hz) | 50 |
| Rated power input (W) | 276 |
| Protection against electric shock | Class II |
| Power cord length (m) | 276 |
| Plug type | No plug |

Accessories

| | |
|---------------------------------|----------|
| Upper Decorative Duct Extension | 02861306 |
| Island Tube Enhancer | 02832001 |
| Active Charcoal Filter | 02859392 |
| Noiseless Flexible Duct | 02893002 |
