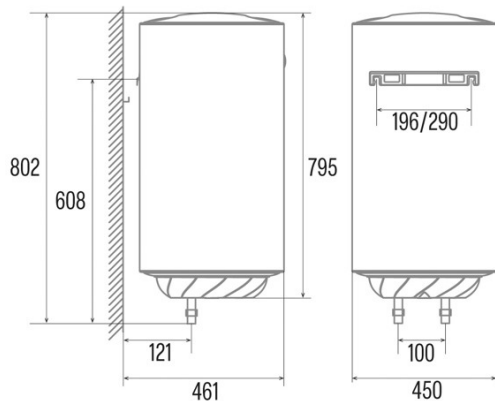




CTR-80-M

Cod. 03112003

EAN 8422248081542



INFORMACIÓN GENERAL

| | |
|-----------|---------------|
| EAN/UPC | 8422248081542 |
| Subfamily | Electric |

Product fiche according to EU Regulation nº 812/2012

| | |
|---|------|
| Declared Load Profile | M |
| Water Heating Energy Class | C |
| Water Heating Energy Efficiency (%) | 37,1 |
| Annual electricity consumption (kWh/year) | 1382 |
| Thermostat temperature settings | 75 |

Features

| | |
|------------------------------|----------|
| Capacity (L) | 80 |
| Number of persons | 2-4 |
| Installation | Vertical |
| Minimum set temperature | 30 |
| Maximum set temperature | 75 |
| Type of heating element | Enamel |
| Heating time 15°C-65°C (min) | 186,6 |
| Static losses 65°C (kWh/24h) | 1,38 |
| Coating thickness (mm) | 5 |

Controls

| | |
|---------------------------------|------------|
| Type of control | Mechanical |
| Control position | Bottom |
| Electrical connection indicator | - |
| Temperature indicator | √ |
| Heating indicator | √ |

Safety

| | |
|---------------------------------|---------|
| Overheating protection | √ |
| Safety temperature (°C) | 82 |
| Freezing protection | - |
| Water protection index | IPX4 |
| Maximum Working Pressure (Mpa) | 0,75 |
| Magnesium Anode Dimensions (mm) | D22x296 |

Power connection

| | |
|-----------------------------------|---------|
| Rated voltage (V) | 220-240 |
| Rated frequency (Hz) | 50/60 |
| Rated power input (W) | 1500 |
| Protection against electric shock | Class I |
| Power cord length (m) | 1,5 |
| Plug type | Type F |

Installation

| | |
|-------------|-----|
| Width (mm) | 450 |
| Height (mm) | 805 |
| Depth (mm) | 450 |