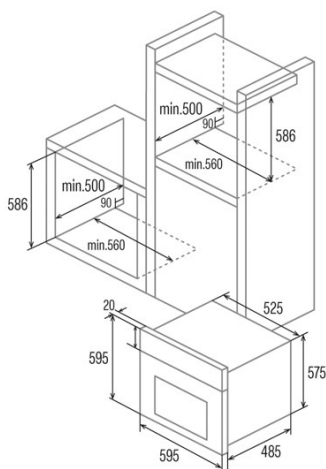




## CDP 780 AS BK

Cod. 07001401

EAN 8422248059503



### INFORMACIÓN GENERAL

|           |               |
|-----------|---------------|
| EAN/UPC   | 8422248059503 |
| Subfamily | Multifunction |

### Product fiche

|   |             |
|---|-------------|
| Energy efficiency index (IEE)                       | 117,1       |
| Energy efficiency Class                             | A           |
| Energy consumption in conventional mode [kWh/cycle] | 0,89        |
| Energy consumption in fan-forced mode [kWh/cycle]   | 0,81        |
| Heat source   | Electricity |
| Mass of the appliance [Kg]                          | 36          |
| Number of cavities                                  | 1           |
| Cavity volume (L)                                   | 50          |

### Dimensions

|                      |     |
|----------------------|-----|
| Width (mm)           | 595 |
| Height (mm)          | 595 |
| Depth (mm)           | 480 |
| Built-in width (mm)  | 560 |
| Built-in height (mm) | 586 |
| Built-in depth (mm)  | 500 |

### Controls

|                          |   |
|--------------------------|---|
| Control type             | Touch control   |
| Display                  | LCD   |
| Number of functions      | 8   |
| Functions                | Bottom_heating_with_fan;Top and bottom heating;Turbo heating;Top and bottom heating with fan;Double grill with fan;Light;Top heating;Defrosting |
| Timer                    | Electronic  |
| On/Off indicator         | √   |
| Thermostat indicator     | √   |
| Minimum temperature [°C] | 50  |
| Maximum temperature [°C] | 250   |
| Thermal probe            | -   |

### Characteristics

|                        |                  |
|------------------------|------------------|
| Cleaning               | Aquasmart Manual |
| Enamel                 | Black            |
| Drop down grill        | -                |
| Removable inner glass  | √                |
| Number of light bulbs  | 50               |
| Light bulb power [W]   | 2                |
| Number of door glasses | 2                |
| Door manual lock       | -                |
| Soft close             | -                |
| Cavity type            | Flat             |
| Side Racks             | √                |
| Levels                 | 5                |
| Telescopic guides      | 0,75             |
| Convection fan         | √                |

### Security

|                           |   |
|---------------------------|---|
| Cooling fan               | √ |
| Overheating protection    | √ |
| Automatic safety shutdown | √ |
| Pyrolysis door lock       | - |
| Pyrolysis lock indicator  | - |

### Electrical connection

|                                   |         |
|-----------------------------------|---------|
| Lower heating element power [W]   | 1300    |
| Turbo heating element power [W]   | 2300    |
| Rated voltage (V)                 | 220-240 |
| Rated frequency (Hz)              | 50/60   |
| Rated power input (W)             | 2450    |
| Protection against electric shock | Class I |
| Power cord length (m)             | 1       |
| Plug type                         | No plug |

#### Accessories

|                   |   |
|-------------------|---|
| Flat tray         | √ |
| Deep Tray         | √ |
| Steam tray        | - |
| Grill             | √ |
| Inner grill       | - |
| Telescopic guides | √ |
| Tray Handle       | - |
| Removable tank    | - |
| Pizza Stone       | - |
| Roast kit         | - |