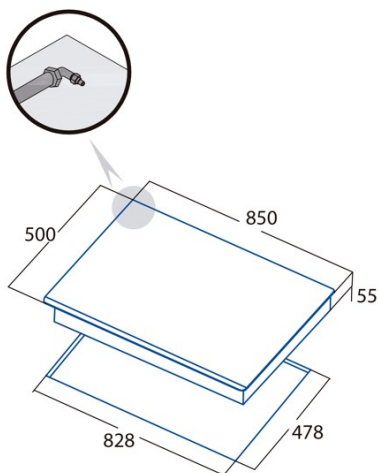




## LGI 9041 X

Cod. 08005350

EAN 8422248081948



### INFORMACIÓN GENERAL

EAN/UPC	8422248081948
Subfamily	Gas

### Product fiche

Number of cooking zones	5
Zone 1: Technology	GAS
Zone 1: Zone type	Triple
Zone 1: Position	Centre
Zone 1: Power (kW)	3,5
Zone 2: Technology	GAS
Zone 2: Zone type	Rapid
Zone 2: Position	Rear Right
Zone 2: Power (kW)	3
Zone 3: Technology	GAS
Zone 3: Zone type	Semirapid
Zone 3: Position	Front Left
Zone 3: Power (kW)	1,75
Zone 4: Technology	GAS
Zone 4: Zone type	Auxiliary
Zone 4: Position	Front Left
Zone 4: Power (kW)	1
Zone 5: Technology	GAS
Zone 5: Zone type	Semirapid
Zone 5: Position	Rear Right
Zone 5: Power (kW)	1,75

### Dimensions

Width (mm)	850
Height (mm)	55
Depth (mm)	500
Built-in width (mm)	828
Built-in depth (mm)	478
Easy installation System	Clamping System

### Finishing

Material	Stainless Steel
Bevel	No
Frame	No
Cooking supports	Cast Iron

### Control

Control type	Mechanical
Control Position	Front Centre
Independent control by zone	√
Hidden control	-
Power levels	Gradual
Cooking time programming	-
Countdown alarm	-
Power management	-
Available Power Limits (kW)	No
Connectivity	No
Auto Ignition	220-240V

### Security

Security lock	-
Child lock	No
Residual heat indicator	-
Automatic detection of cookware	-
Intelligent detection of cookware	-
Automatic safety shutdown	-
Liquid spill protection	-

Safety Valve

√

---

**Electrical connection**

Rated voltage (V)	220-240
Rated frequency (Hz)	50/60
Rated power input (W)	11
Multi Phase Connection Option	2 phases
Protection against electric shock	Class I
Plug type	No plug

---

**Accessories**

Barbecue grill	No
----------------	----

---