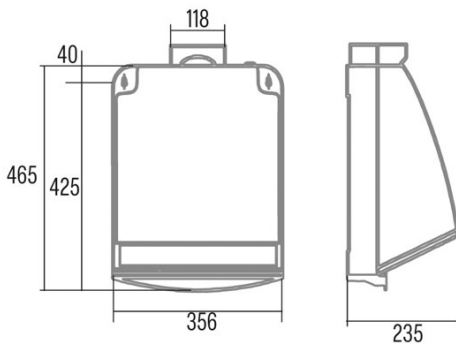




PROFESSIONAL 750 L

Cod. 00117100

EAN 8422248100823



INFORMACIÓN GENERAL

EAN/UPC	8422248100823
Subfamily	Kitchen Extractor

Product fiche according to directives EU65/2014 - EN61591, EN60704-2-13, EN50564

AEC (Energy consumption per year) (kWh/año)	66,8
EEL class (Energy efficiency class)	D
FDE (Fluid dynamic efficiency)	8,7
FDE class (Fluid dynamic efficiency class)	E
LE (Light efficiency) (lux/W)	1,5
LE class (Light efficiency class)	F
GFE (Grease filtering efficiency)	53,7
GFE Class (Grease filtering efficiency class)	F
Normal mode airflow MAX (m3/h)	600
Normal mode acustic power MAX (dB)	49
Po (Off-mode power consumption) (W)	0
Ps (Stand-by power consumption) (W)	0

Integration directive EU 66/2014

f (Factor Increase in the time)	1,8
EEL (Energy efficiency Index)	90,9
QBEP (Maximum airflow point efficiency) (m3/h)	278,9
PBEP (Maximum pressure point efficiency) (Pa)	102,9
WBEP (Electrical power consumption at maximum efficiency) (W)	91,9
WL (Rated power lighting system) (W)	14
EMIDDLE (Average illuminance on the cooking surface) (lux)	59

External Dimensions

Width (mm)	356
Depth (mm)	235
Minimum Total Height (mm)	650
Outlet Diameter (mm)	118

Characteristics

Motor Quantity	1
Maximum Pressure (Pa)	190
Free Outlet Airflow (m3/h)	600
Filter Technology	Malla
Booster	-
Timer	-
Filter Saturation Indicator	-
Charcoal Filter Change Indicator	-
Dimmer Function	-
Remote control	-

Lighting

Lighting Technology	Energy Saving
---------------------	---------------

Installation

Minimum distance to an electric cooktop (mm)	65
Minimum distance to a gas cooktop (mm)	650
Recirculation Option	-
Charcoal Filter	-
Back Draught Shutter	-
Inner shield	-

Electric Connection

Rated voltage (V)	230
Rated frequency (Hz)	50
Rated power input (W)	105

Protection against electric shock	Class I
Power cord length (m)	0,5
Plug type	No plug

Accessories

Upper Decorative Duct Extension	N_A
White Decorative Duct	N_A
Black Decorative Duct	N_A
Island Tube Enhancer	N_A
Back Draught Shutter	N_A
MAX PRO Metal Filter	N_A
Active Charcoal Filter	N_A
Noiseless Flexible Duct	N_A
Recirculating kit	N_A
