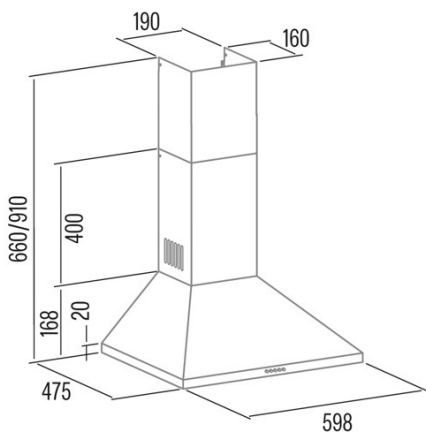




# V-6000 X

Cod. **02002397**

EAN **8422248106351**



## INFORMACIÓN GENERAL

EAN/UPC	8422248106351
Subfamily	Chimney

### Product fiche according to directives EU65/2014 - EN61591, EN60704-2-13, EN50564

AEC (Energy consumption per year) (kWh/año)	59
EEl class (Energy efficiency class)	C
FDE (Fluid dynamic efficiency)	11,3
FDE class (Fluid dynamic efficiency class)	E
LE (Light efficiency) (lux/W)	28,6
LE class (Light efficiency class)	A
GFE (Grease filtering efficiency)	62,5
GFE Class (Grease filtering efficiency class)	E
Normal mode airflow MIN (m3/h)	318,4
Normal mode airflow MAX (m3/h)	479,5
Normal mode acustic power MIN (dB)	52
Normal mode acustic power MAX (dB)	64
Po (Off-mode power consumption) (W)	0

### Integration directive EU 66/2014

f (Factor Increase in the time)	1,6
EEl (Energy efficiency Index)	83,5
QBEP (Maximum airflow point efficiency) (m3/h)	239,7
PBEP (Maximum pressure point efficiency) (Pa)	166
WBEP (Electrical power consumption at maximum efficiency) (W)	97,9
WL (Rated power lighting system) (W)	3
EMIDDLE (Average illuminance on the cooking surface) (lux)	85,8

### External Dimensions

Width (mm)	600
Depth (mm)	470
Maximum Total Height (mm)	870
Minimum Total Height (mm)	570
Outlet Diameter (mm)	150, 125

### Characteristics

Motor Quantity	1
Maximum Pressure (Pa)	227
Filter Technology	Aluminium mesh
Control Tecnology	Mechanical push button
Booster	-
Timer	-
Filter Saturation Indicator	-
Charcoal Filter Change Indicator	-
Dimmer Function	-
Connectivity	No
Remote control	-
Display	-

### Lighting

Light Model	LED E-14
Lightning Technology	LED

### Installation

Minimum distance to an electric cooktop (mm)	650
Minimum distance to a gas cooktop (mm)	650
Recirculation Option	√
Charcoal Filter	-
Back Draught Shutter	Included
Inner shield	-

**Electric Connection**

Rated voltage (V)	220-240
Rated frequency (Hz)	50
Rated power input (W)	123
Protection against electric shock	Class I

**Accessories**

Upper Decorative Duct Extension	02863304
Active Charcoal Filter	02859496
Noiseless Flexible Duct	02893002