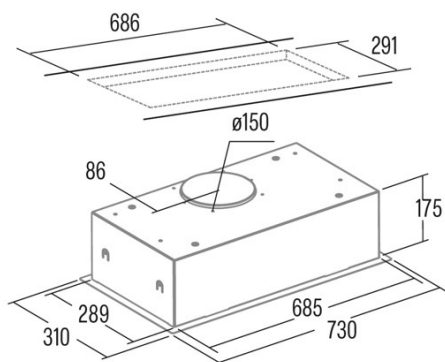


# GCB 73 X

Cod. 02031300

EAN 8422248108461



## INFORMACIÓN GENERAL

EAN/UPC	8422248108461
Subfamily	Insert

### Product fiche according to directives EU65/2014 - EN61591, EN60704-2-13, EN50564

AEC (Energy consumption per year) (kWh/año)	54
EEl class (Energy efficiency class)	C
FDE (Fluid dynamic efficiency)	10,1
FDE class (Fluid dynamic efficiency class)	E
LE (Light efficiency) (lux/W)	29,5
LE class (Light efficiency class)	A
GFE (Grease filtering efficiency)	58,3
GFE Class (Grease filtering efficiency class)	E
Normal mode airflow MIN (m3/h)	283,1
Normal mode airflow MAX (m3/h)	372,2
Normal mode acustic power MIN (dB)	60
Normal mode acustic power MAX (dB)	66,4
Po (Off-mode power consumption) (W)	0

### Integration directive EU 66/2014

f (Factor Increase in the time)	1,64
EEl (Energy efficiency Index)	83,5
QBEP (Maximum airflow point efficiency) (m3/h)	198,1
PBEP (Maximum pressure point efficiency) (Pa)	160
WBEP (Electrical power consumption at maximum efficiency) (W)	86,9
WL (Rated power lighting system) (W)	3
EMIDDLE (Average illuminance on the cooking surface) (lux)	88,4

### External Dimensions

Width (mm)	730
Depth (mm)	310
Maximum Total Height (mm)	187
Minimum Total Height (mm)	187
Outlet Diameter (mm)	150, 125

### Characteristics

Motor Quantity	1
Maximum Pressure (Pa)	226
Filter Technology	Aluminium mesh
Control Technology	Mechanical push button
Booster	-
Power levels	3
Timer	-
Filter Saturation Indicator	-
Charcoal Filter Change Indicator	-
Dimmer Function	-
Connectivity	No
Remote control	-
Display	-

### Lighting

Light Model	CSLED
Lightning Technology	LED

### Installation

Minimum distance to an electric cooktop (mm)	550
Minimum distance to a gas cooktop (mm)	650
Recirculation Option	√
Charcoal Filter	-
Back Draught Shutter	Included

Inner shield -

---

### **Electric Connection**

---

Rated voltage (V)	220-240
Rated frequency (Hz)	50
Rated power input (W)	123
Protection against electric shock	Class I

---

### **Accessories**

---

Active Charcoal Filter	02859500
Noiseless Flexible Duct	02893002

---