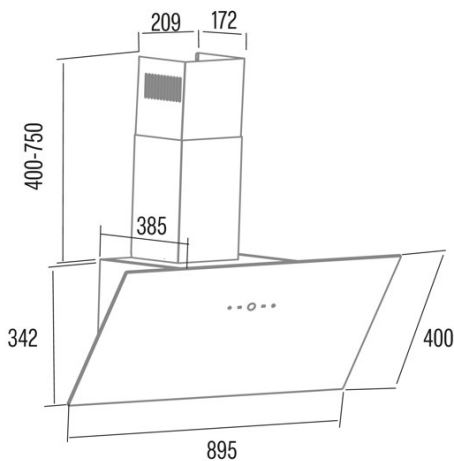




LENA 900 XGBK

Cod. **02059403**

EAN **8422248108089**



INFORMACIÓN GENERAL

EAN/UPC	8422248108089
Subfamily	Angle Glass

Product fiche according to directives EU65/2014 - EN61591, EN60704-2-13, EN50564

AEC (Energy consumption per year) (kWh/año)	48,3
EEL class (Energy efficiency class)	B
FDE (Fluid dynamic efficiency)	19,6
FDE class (Fluid dynamic efficiency class)	C
LE (Light efficiency) (lux/W)	21
LE class (Light efficiency class)	B
GFE (Grease filtering efficiency)	66,3
GFE Class (Grease filtering efficiency class)	D
Normal mode airflow MIN (m3/h)	2851
Normal mode airflow MAX (m3/h)	4548
Normal mode acoustic power MIN (dB)	48
Normal mode acoustic power MAX (dB)	58
Po (Off-mode power consumption) (W)	0,48

Integration directive EU 66/2014

f (Factor Increase in the time)	1,3
EEL (Energy efficiency Index)	68,9
QBEP (Maximum airflow point efficiency) (m3/h)	245,1
PBEP (Maximum pressure point efficiency) (Pa)	276
WBEP (Electrical power consumption at maximum efficiency) (W)	95,7
WL (Rated power lighting system) (W)	3,9
EMIDDLE (Average illuminance on the cooking surface) (lux)	81

Characteristics

Motor Quantity	1
Filter Technology	Aluminium mesh
Control Technology	Electronic Touch Control
Power levels	3
Timer	√
Filter Saturation Indicator	-
Charcoal Filter Change Indicator	-
Dimmer Function	√
Connectivity	No
Remote control	-
Display	Display

Lighting

Light Model	ECOLED
Lighting Technology	LED

Electric Connection

Rated voltage (V)	220-240
Rated frequency (Hz)	60
Rated power input (W)	120
Protection against electric shock	Class I
Plug type	Type F

Accessories

Back Draught Shutter	B30-TG18-015-JB (2pcs included)
Active Charcoal Filter	Big Round carbon filter B15-TF08-097-JB (optional)

