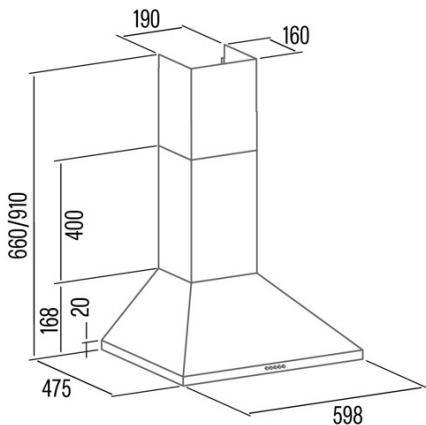




VK 6000 X

Cod. 02061606

EAN 8422248357012



INFORMACIÓN GENERAL

EAN/UPC	8422248357012
Subfamily	Chimney

Product fiche according to directives EU65/2014 - EN61591, EN60704-2-13, EN50564

AEC (Energy consumption per year) (kWh/año)	24,8
EEl class (Energy efficiency class)	A
FDE (Fluid dynamic efficiency)	28,5
FDE class (Fluid dynamic efficiency class)	B
LE (Light efficiency) (lux/W)	31,6
LE class (Light efficiency class)	A
GFE (Grease filtering efficiency)	71,4
GFE Class (Grease filtering efficiency class)	D
Normal mode airflow MIN (m3/h)	166
Normal mode airflow MAX (m3/h)	395
Normal mode acustic power MIN (dB)	49
Normal mode acustic power MAX (dB)	67
Po (Off-mode power consumption) (W)	0

Integration directive EU 66/2014

f (Factor Increase in the time)	1
EEl (Energy efficiency Index)	48,5
QBEP (Maximum airflow point efficiency) (m3/h)	255,1
PBEP (Maximum pressure point efficiency) (Pa)	249,1
WBEP (Electrical power consumption at maximum efficiency) (W)	62
WL (Rated power lighting system) (W)	3
EMIDDLE (Average illuminance on the cooking surface) (lux)	95

External Dimensions

Width (mm)	600
Depth (mm)	475
Maximum Total Height (mm)	910
Minimum Total Height (mm)	670
Outlet Diameter (mm)	150

Characteristics

Motor Quantity	1
Motor Model	K10 390 A
Maximum Pressure (Pa)	290,8
Filter Technology	Aluminium mesh
Control Tecnology	Mechanical push button
Booster	-
Power levels	3
Timer	-
Filter Saturation Indicator	-
Charcoal Filter Change Indicator	-
Dimmer Function	-
Connectivity	No
Remote control	-
Display	-

Lighting

Light Model	CSLED
Lightning Technology	LED

Installation

Minimum distance to an electric cooktop (mm)	650
Minimum distance to a gas cooktop (mm)	650
Recirculation Option	-
Charcoal Filter	-

Back Draught Shutter	No
Inner shield	-

Electric Connection

Rated voltage (V)	220-240
Rated frequency (Hz)	50
Rated power input (W)	100
Protection against electric shock	Class II
Plug type	No plug

Accessories

Upper Decorative Duct Extension	'02862302
Back Draught Shutter	'02832004
MAX PRO Metal Filter	'02800917
Active Charcoal Filter	'02859489
Noiseless Flexible Duct	'02893002
