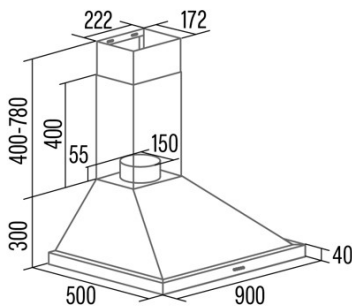




# BETA PRO 9000 BK

Cod. 02075419

EAN 8422248371544



## INFORMACIÓN GENERAL

EAN/UPC	8422248371544
Subfamily	Chimney

### Product fiche according to directives EU65/2014 - EN61591, EN60704-2-13, EN50564

AEC (Energy consumption per year) (kWh/año)	68,1
EEl class (Energy efficiency class)	A
FDE (Fluid dynamic efficiency)	29,3
FDE class (Fluid dynamic efficiency class)	A
LE (Light efficiency) (lux/W)	28
LE class (Light efficiency class)	A
GFE (Grease filtering efficiency)	75,9
GFE Class (Grease filtering efficiency class)	C
Normal mode airflow MIN (m3/h)	411
Normal mode airflow MAX (m3/h)	561
Boost mode airflow (m3/h)	979
Normal mode acoustic power MIN (dB)	64
Normal mode acoustic power MAX (dB)	72
Boost mode acoustic power (dB)	75
Po (Off-mode power consumption) (W)	0
Ps (Stand-by power consumption) (W)	0,48

### Integration directive EU 66/2014

f (Factor Increase in the time)	0,9
EEl (Energy efficiency Index)	53,7
QBEP (Maximum airflow point efficiency) (m3/h)	482,8
PBEP (Maximum pressure point efficiency) (Pa)	434
WBEP (Electrical power consumption at maximum efficiency) (W)	198,6
WL (Rated power lighting system) (W)	4
EMIDDLE (Average illuminance on the cooking surface) (lux)	112,5

### External Dimensions

Width (mm)	900
Depth (mm)	500
Maximum Total Height (mm)	1080
Minimum Total Height (mm)	700
Outlet Diameter (mm)	150

### Characteristics

Motor Quantity	1
Motor Model	A1000
Maximum Pressure (Pa)	474,33
Filter Technology	Aluminium mesh
Control Technology	PANEL ELECTRONICO
Booster	√
Power levels	3
Timer	√

### Lighting

Light Model	ECOLED
Lighting Technology	LED

### Installation

Minimum distance to an electric cooktop (mm)	550
Minimum distance to a gas cooktop (mm)	650
Back Draught Shutter	Included

### Electric Connection

Rated voltage (V)	220-240
Rated frequency (Hz)	50

Rated power input (W)	380
Protection against electric shock	Class I
Plug type	Type F

---

**Accessories**

Back Draught Shutter	02800706
----------------------	----------

---