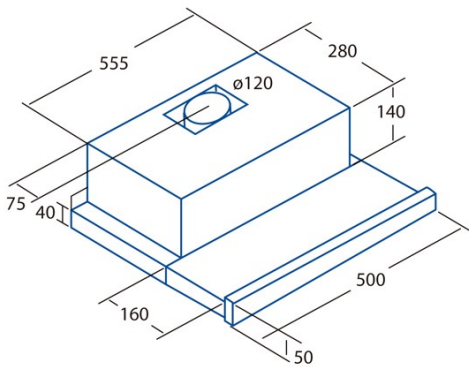


TF-5250 X

Cod. 02097305

EAN 8422248086264



INFORMACIÓN GENERAL

EAN/UPC	8422248086264
Subfamily	Telescopic

Product fiche according to directives EU65/2014 - EN61591, EN60704-2-13, EN50564

AEC (Energy consumption per year) (kWh/año)	78,3
EEL class (Energy efficiency class)	D
FDE (Fluid dynamic efficiency)	9
FDE class (Fluid dynamic efficiency class)	E
LE (Light efficiency) (lux/W)	9,3
LE class (Light efficiency class)	E
GFE (Grease filtering efficiency)	66,5
GFE Class (Grease filtering efficiency class)	D
Normal mode airflow MIN (m3/h)	174,8
Normal mode airflow MAX (m3/h)	325,1
Normal mode acoustic power MIN (dB)	54
Normal mode acoustic power MAX (dB)	68
Po (Off-mode power consumption) (W)	0
Ps (Stand-by power consumption) (W)	0

Integration directive EU 66/2014

f (Factor Increase in the time)	1,7
EEL (Energy efficiency Index)	93,5
QBEP (Maximum airflow point efficiency) (m3/h)	198
PBEP (Maximum pressure point efficiency) (Pa)	185
WBEP (Electrical power consumption at maximum efficiency) (W)	113,3
WL (Rated power lighting system) (W)	11
EMIDDLE (Average illuminance on the cooking surface) (lux)	102

External Dimensions

Width (mm)	600
Depth (mm)	280
Maximum Total Height (mm)	175
Minimum Total Height (mm)	175
Outlet Diameter (mm)	120

Characteristics

Motor Quantity	2
Motor Model	L1N
Maximum Pressure (Pa)	301
Free Outlet Airflow (m3/h)	350
Filter Technology	Aluminium mesh
Control Technology	Mechanical slider
Booster	-
Power levels	3
Timer	-
Filter Saturation Indicator	-
Charcoal Filter Change Indicator	-
Dimmer Function	-
Connectivity	-
Remote control	-
Display	-

Lighting

Light Model	LED E-14
Lighting Technology	LED

Installation

Minimum distance to an electric cooktop (mm)	550
Minimum distance to a gas cooktop (mm)	650

Recirculation Option	√
Charcoal Filter	-
Back Draught Shutter	-
Inner shield	-

Electric Connection

Rated voltage (V)	220-240
Rated frequency (Hz)	50
Rated power input (W)	141
Protection against electric shock	Class II
Power cord length (m)	1,5
Plug type	Type C

Accessories

Upper Decorative Duct Extension	No
White Decorative Duct	No
Black Decorative Duct	No
Island Tube Enhancer	No
Back Draught Shutter	2849002
MAX PRO Metal Filter	No
Active Charcoal Filter	2846762
Noiseless Flexible Duct	No
Recirculating kit	No
