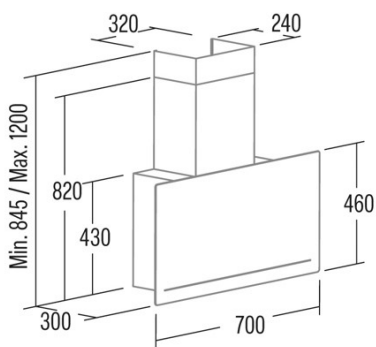




GOYA 70 BK CATA&ROCA

Cod. 02127404

EAN 8422248106108



INFORMACIÓN GENERAL

| | |
|-----------|---------------|
| EAN/UPC | 8422248106108 |
| Subfamily | Angle Glass |

Product fiche according to directives EU65/2014 - EN61591, EN60704-2-13, EN50564

| | |
|---|------|
| AEC (Energy consumption per year) (kWh/año) | 14,5 |
| EEL class (Energy efficiency class) | A+++ |
| FDE (Fluid dynamic efficiency) | 39,7 |
| FDE class (Fluid dynamic efficiency class) | A |
| LE (Light efficiency) (lux/W) | 26,3 |
| LE class (Light efficiency class) | B |
| GFE (Grease filtering efficiency) | 75,5 |
| GFE Class (Grease filtering efficiency class) | C |
| Normal mode airflow MIN (m3/h) | 200 |
| Normal mode airflow MAX (m3/h) | 605 |
| Boost mode airflow (m3/h) | 825 |
| Normal mode acoustic power MIN (dB) | 40 |
| Normal mode acoustic power MAX (dB) | 64 |
| Boost mode acoustic power (dB) | 67 |
| Po (Off-mode power consumption) (W) | 0,4 |
| Ps (Stand-by power consumption) (W) | 0 |

Integration directive EU 66/2014

| | |
|---|-------|
| f (Factor Increase in the time) | 0,6 |
| EEL (Energy efficiency Index) | 29,3 |
| QBEP (Maximum airflow point efficiency) (m3/h) | 259,7 |
| PBEP (Maximum pressure point efficiency) (Pa) | 326,2 |
| WBEP (Electrical power consumption at maximum efficiency) (W) | 59,2 |
| WL (Rated power lighting system) (W) | 3 |
| EMIDDLE (Average illuminance on the cooking surface) (lux) | 79 |

External Dimensions

| | |
|---------------------------|----------|
| Width (mm) | 900 |
| Depth (mm) | 300 |
| Maximum Total Height (mm) | 1160 |
| Minimum Total Height (mm) | 845 |
| Outlet Diameter (mm) | 150, 125 |

Characteristics

| | |
|----------------------------------|--------------------------|
| Motor Quantity | 1 |
| Motor Model | BT4DC |
| Maximum Pressure (Pa) | 357 |
| Filter Technology | Aluminium mesh |
| Control Technology | Electronic Touch Control |
| Booster | √ |
| Power levels | 5 |
| Timer | √ |
| Filter Saturation Indicator | √ |
| Charcoal Filter Change Indicator | - |
| Dimmer Function | √ |
| Connectivity | - |
| Remote control | - |
| Display | Display_grafico |

Lighting

| | |
|----------------------|-------|
| Light Model | SSLED |
| Lightning Technology | LED |

Installation

| | |
|--|-----|
| Minimum distance to an electric cooktop (mm) | 530 |
|--|-----|

| | |
|--|-----|
| Minimum distance to a gas cooktop (mm) | 650 |
| Recirculation Option | √ |
| Charcoal Filter | - |
| Back Draught Shutter | - |
| Inner shield | - |

Electric Connection

| | |
|-----------------------------------|----------|
| Rated voltage (V) | 220-240 |
| Rated frequency (Hz) | 50 |
| Rated power input (W) | 135 |
| Protection against electric shock | Class II |
| Plug type | Type C |

Accessories

| | |
|---------------------------------|----------|
| Upper Decorative Duct Extension | 02861303 |
| White Decorative Duct | No |
| Black Decorative Duct | 02861405 |
| Island Tube Enhancer | No |
| Back Draught Shutter | 02832004 |
| MAX PRO Metal Filter | No |
| Active Charcoal Filter | 02859398 |
| Noiseless Flexible Duct | 02893002 |
| Recirculating kit | 02894001 |
