



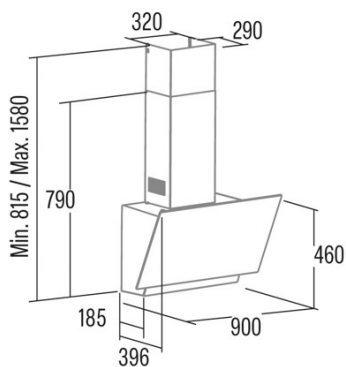
THALASSA 600 GBK

Cod. **02136406**

EAN **8422248356244**



295



INFORMACIÓN GENERAL

EAN/UPC	8422248356244
Subfamily	Angle Glass

Product fiche according to directives EU65/2014 - EN61591, EN60704-2-13, EN50564

AEC (Energy consumption per year) (kWh/año)	240
EEL class (Energy efficiency class)	A
FDE (Fluid dynamic efficiency)	29,4
FDE class (Fluid dynamic efficiency class)	A
LE (Light efficiency) (lux/W)	23,7
LE class (Light efficiency class)	B
GFE (Grease filtering efficiency)	Rating Label
GFE Class (Grease filtering efficiency class)	C
Normal mode airflow MIN (m3/h)	346
Normal mode airflow MAX (m3/h)	Safety
Boost mode airflow (m3/h)	811
Normal mode acoustic power MIN (dB)	50
Normal mode acoustic power MAX (dB)	65
Boost mode acoustic power (dB)	67
Po (Off-mode power consumption) (W)	0

Integration directive EU 66/2014

f (Factor Increase in the time)	0,9
QBEP (Maximum airflow point efficiency) (m3/h)	457,2
PBEP (Maximum pressure point efficiency) (Pa)	397
WBEP (Electrical power consumption at maximum efficiency) (W)	171,6
WL (Rated power lighting system) (W)	3
EMIDDLE (Average illuminance on the cooking surface) (lux)	71

External Dimensions

Width (mm)	600
Depth (mm)	375
Minimum Total Height (mm)	815
Outlet Diameter (mm)	150

Characteristics

Motor Model	BT3
Motor power (W)	300
Maximum Pressure (Pa)	450
Booster	Product Identity Declaration
Power levels	6
Timer	180
Filter Saturation Indicator	Installation Manual
Charcoal Filter Change Indicator	√
Connectivity	√
Remote control	-
Display	Display

Lighting

Light Model	SSLED
Lighting Technology	LED

Installation

Minimum distance to an electric cooktop (mm)	450
Minimum distance to a gas cooktop (mm)	0
Recirculation Option	√
Back Draught Shutter	No
Inner shield	-

Electric Connection

Rated frequency (Hz)	50/60
Rated power input (W)	283
Plug type	No plug

Accessories

Upper Decorative Duct Extension	02861300
White Decorative Duct	02861001
Black Decorative Duct	02861401
Back Draught Shutter	02832004
Active Charcoal Filter	EMC
Noiseless Flexible Duct	02893002
