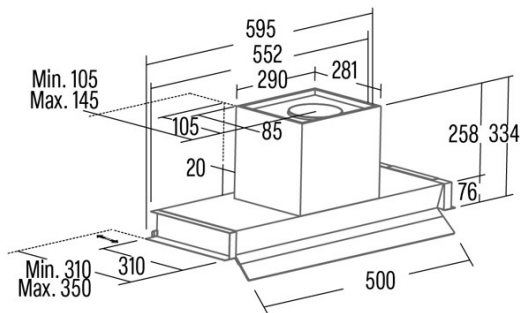




ARONA 60 BK

Cod. **02186411**

EAN **8422248372145**



INFORMACIÓN GENERAL

EAN/UPC	8422248372145
Subfamily	Integrated

Product fiche according to directives EU65/2014 - EN61591, EN60704-2-13, EN50564

AEC (Energy consumption per year) (kWh/año)	54,9
EEL class (Energy efficiency class)	A
FDE (Fluid dynamic efficiency)	29,2
FDE class (Fluid dynamic efficiency class)	A
LE (Light efficiency) (lux/W)	23,7
LE class (Light efficiency class)	B
GFE (Grease filtering efficiency)	93,5
GFE Class (Grease filtering efficiency class)	B
Normal mode airflow MIN (m3/h)	272,4
Normal mode airflow MAX (m3/h)	608,9
Boost mode airflow (m3/h)	766
Normal mode acoustic power MIN (dB)	54
Normal mode acoustic power MAX (dB)	69
Boost mode acoustic power (dB)	71
Po (Off-mode power consumption) (W)	0,39
Ps (Stand-by power consumption) (W)	0

Integration directive EU 66/2014

f (Factor Increase in the time)	0,9
EEL (Energy efficiency Index)	52,2
QBEP (Maximum airflow point efficiency) (m3/h)	437,8
PBEP (Maximum pressure point efficiency) (Pa)	385
WBEP (Electrical power consumption at maximum efficiency) (W)	160,5
WL (Rated power lighting system) (W)	3
EMIDDLE (Average illuminance on the cooking surface) (lux)	71

External Dimensions

Width (mm)	595
Depth (mm)	310
Maximum Total Height (mm)	334
Minimum Total Height (mm)	334
Outlet Diameter (mm)	150

Characteristics

Motor Quantity	1
Motor Model	BT5AC
Maximum Pressure (Pa)	473,3
Filter Technology	Malla
Control Technology	Electronic Touch Control
Booster	√
Power levels	4
Timer	√
Filter Saturation Indicator	√
Dimmer Function	√
Connectivity	Auto
Remote control	-
Display	Display

Lighting

Light Model	SSLED
Lightning Technology	LED

Installation

Minimum distance to an electric cooktop (mm)	550
Minimum distance to a gas cooktop (mm)	650

Recirculation Option	√
Charcoal Filter	√
Back Draught Shutter	No
Inner shield	-

Electric Connection

Rated voltage (V)	220-240
Rated frequency (Hz)	50
Rated power input (W)	283
Protection against electric shock	Class II
Power cord length (m)	1100
Plug type	No plug

Accessories

Upper Decorative Duct Extension	02861306
Black Decorative Duct	02861307
Back Draught Shutter	02832004
Active Charcoal Filter	02859398
Noiseless Flexible Duct	02893002
Recirculating kit	02800013
