



# CORONA X NO DRIP 80

Cod. 02188310

EAN 8422248370769



## INFORMACIÓN GENERAL

EAN/UPC	8422248370769
Subfamily	Integrated

### Product fiche according to directives EU65/2014 - EN61591, EN60704-2-13, EN50564

AEC (Energy consumption per year) (kWh/año)	54,9
EEL class (Energy efficiency class)	A
FDE (Fluid dynamic efficiency)	29,2
FDE class (Fluid dynamic efficiency class)	A
LE (Light efficiency) (lux/W)	22,3
LE class (Light efficiency class)	B
GFE (Grease filtering efficiency)	69,5
GFE Class (Grease filtering efficiency class)	D
Normal mode airflow MIN (m3/h)	272,4
Normal mode airflow MAX (m3/h)	608,9
Boost mode airflow (m3/h)	766
Normal mode acoustic power MIN (dB)	54
Normal mode acoustic power MAX (dB)	69
Boost mode acoustic power (dB)	71
Po (Off-mode power consumption) (W)	0,39
Ps (Stand-by power consumption) (W)	0

### Integration directive EU 66/2014

f (Factor Increase in the time)	0,9
EEL (Energy efficiency Index)	52,2
QBEP (Maximum airflow point efficiency) (m3/h)	437,8
PBEP (Maximum pressure point efficiency) (Pa)	385
WBEP (Electrical power consumption at maximum efficiency) (W)	160,5
WL (Rated power lighting system) (W)	3
EMIDDLE (Average illuminance on the cooking surface) (lux)	67

### External Dimensions

Width (mm)	795
Depth (mm)	310
Maximum Total Height (mm)	334
Minimum Total Height (mm)	334
Outlet Diameter (mm)	150

### Characteristics

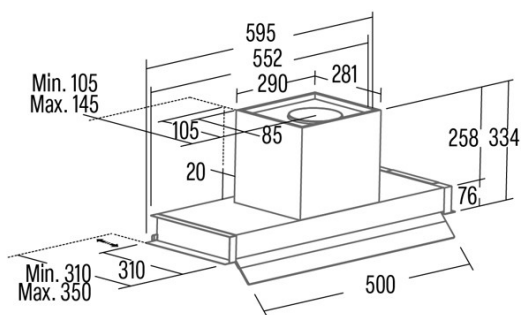
Motor Quantity	1
Motor Model	BT5AC
Maximum Pressure (Pa)	450
Filter Technology	Malla
Control Technology	Electronic Touch Control
Booster	√
Power levels	4
Timer	√
Filter Saturation Indicator	√
Charcoal Filter Change Indicator	√
Dimmer Function	√
Connectivity	Auto
Remote control	-
Display	Display

### Lighting

Light Model	SSLED
Lighting Technology	LED

### Installation

Minimum distance to an electric cooktop (mm)	550
--	-----



Minimum distance to a gas cooktop (mm)	650
Recirculation Option	√
Charcoal Filter	√
Back Draught Shutter	No
Inner shield	-

---

#### Electric Connection

Rated voltage (V)	220-240
Rated frequency (Hz)	50/60
Rated power input (W)	283
Protection against electric shock	Class II
Power cord length (m)	1100
Plug type	No plug

---

#### Accessories

Upper Decorative Duct Extension	02861306
Black Decorative Duct	02861307
Back Draught Shutter	02832004
Active Charcoal Filter	02859398
Noiseless Flexible Duct	02893002
Recirculating kit	02800013

---