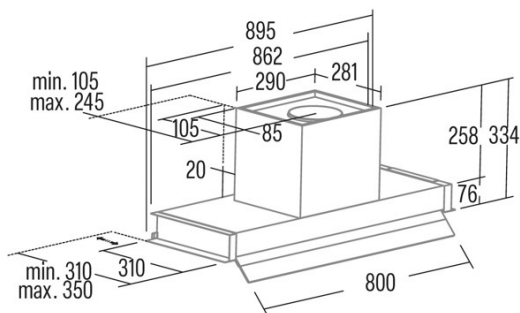


# CORONA 90 BK

Cod. **02189400**

EAN **8422248348782**



## INFORMACIÓN GENERAL

|           |               |
|-----------|---------------|
| EAN/UPC   | 8422248348782 |
| Subfamily | Integrated    |

### Product fiche according to directives EU65/2014 - EN61591, EN60704-2-13, EN50564

|   |      |
|---|------|
| AEC (Energy consumption per year) (kWh/año)   | 51,9 |
| EEl class (Energy efficiency class)           | A    |
| FDE (Fluid dynamic efficiency)                | 30,6 |
| FDE class (Fluid dynamic efficiency class)    | A    |
| LE (Light efficiency) (lux/W)                 | 22,3 |
| LE class (Light efficiency class)             | B    |
| GFE (Grease filtering efficiency)             | 84,2 |
| GFE Class (Grease filtering efficiency class) | C    |
| Normal mode airflow MIN (m3/h)                | 340  |
| Normal mode airflow MAX (m3/h)                | 600  |
| Boost mode airflow (m3/h)                     | 850  |
| Normal mode acoustic power MIN (dB)           | 50   |
| Normal mode acoustic power MAX (dB)           | 65   |
| Boost mode acoustic power (dB)                | 67   |
| Po (Off-mode power consumption) (W)           | 0,26 |
| Ps (Stand-by power consumption) (W)           | 0    |

### Integration directive EU 66/2014

|   |       |
|---|-------|
| f (Factor Increase in the time)                               | 0,9   |
| EEl (Energy efficiency Index)                                 | 53,3  |
| QBEP (Maximum airflow point efficiency) (m3/h)                | 416,9 |
| PBEP (Maximum pressure point efficiency) (Pa)                 | 411   |
| WBEP (Electrical power consumption at maximum efficiency) (W) | 155,7 |
| WL (Rated power lighting system) (W)                          | 3     |
| EMIDDLE (Average illuminance on the cooking surface) (lux)    | 67    |

### External Dimensions

|                           |          |
|---------------------------|----------|
| Width (mm)                | 595      |
| Depth (mm)                | 310/350  |
| Maximum Total Height (mm) | 334      |
| Minimum Total Height (mm) | 334      |
| Outlet Diameter (mm)      | 150, 125 |

### Characteristics

|                                  |                          |
|----------------------------------|--------------------------|
| Motor Quantity                   | 1                        |
| Motor Model                      | BT3                      |
| Filter Technology                | Aluminium mesh           |
| Control Technology               | Electronic Touch Control |
| Booster                          | √                        |
| Power levels                     | 4                        |
| Timer                            | √                        |
| Filter Saturation Indicator      | -                        |
| Charcoal Filter Change Indicator | -                        |
| Connectivity                     | No                       |
| Remote control                   | -                        |
| Display                          | -                        |

### Lighting

|                      |       |
|----------------------|-------|
| Light Model          | SSLED |
| Lightning Technology | LED   |

### Installation

|  |     |
|--|-----|
| Minimum distance to an electric cooktop (mm) | 550 |
| Minimum distance to a gas cooktop (mm)       | 650 |
| Recirculation Option                         | -   |

|                      |    |
|----------------------|----|
| Back Draught Shutter | No |
| Inner shield         | -  |

---

**Electric Connection**

|                                   |          |
|-----------------------------------|----------|
| Rated voltage (V)                 | 220-240  |
| Rated frequency (Hz)              | 50       |
| Rated power input (W)             | 283      |
| Protection against electric shock | Class II |

---

**Accessories**

|                                 |          |
|---------------------------------|----------|
| Upper Decorative Duct Extension | 02861307 |
| Back Draught Shutter            | 02832004 |
| Active Charcoal Filter          | 02859398 |
| Noiseless Flexible Duct         | 02893002 |

---