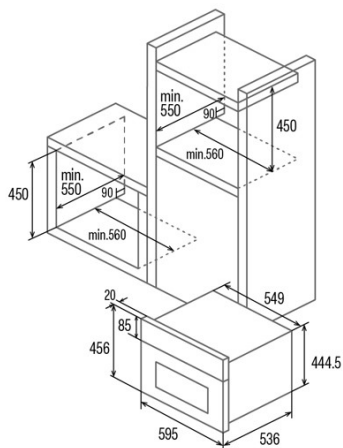




CMD 5007 X

Cod. 07003002

EAN 8422248372886



INFORMACIÓN GENERAL

| | |
|-----------|---------------|
| EAN/UPC | 8422248372886 |
| Subfamily | Turbo |

Product fiche

| | |
|---|-------------|
| Energy efficiency index (IEE) | 97,2 |
| Energy efficiency Class | A |
| Energy consumption in conventional mode [kWh/cycle] | 0,76 |
| Heat source | Electricity |
| Number of cavities | 1 |
| Cavity volume (L) | 44 |

Dimensions

| | |
|------------|-----|
| Width (mm) | 595 |
| Depth (mm) | 536 |

Controls

| | |
|---------------------|---|
| Control type | Mechanical |
| Number of functions | 7 |
| Functions | Grill;Top and bottom heating;Double Grill;Double grill with fan;Bottom heating with fan;Top and bottom heating with fan |

Characteristics

| | |
|------------------------|-----------|
| Cleaning | Pirolisis |
| Enamel | Pyrolytic |
| Light type | LED |
| Light bulb power [W] | 1 |
| Number of door glasses | 3 |

Electrical connection

| | |
|---------------------------------|---------|
| Turbo heating element power [W] | 2380 |
| Microwave power [W] | 2000 |
| Rated voltage (V) | 220-240 |
| Rated frequency (Hz) | 50/60 |

Accessories

| | |
|-----------|---|
| Deep Tray | √ |
|-----------|---|