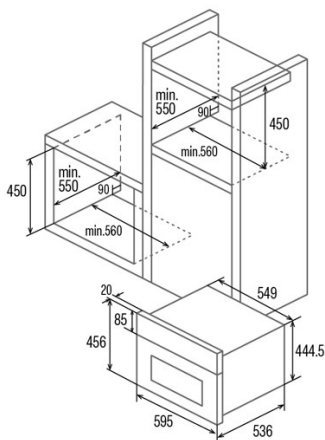




# MD 5007 WH

Cod. 07003003

EAN 8422248372893



## INFORMACIÓN GENERAL

EAN/UPC	8422248372893
Subfamily	Turbo

## Product fiche

Energy efficiency index (IEE)	97,2
Energy efficiency Class	A
Energy consumption in fan-forced mode [kWh/cycle]	0,76
Heat source	Electricity
Number of cavities	1
Cavity volume (L)	44

## Controls

Control type	Mechanical
Number of functions	7
Functions	Top_and_bottom_heating_with_fan;Double grill with fan;Grill;Top and bottom heating;Double Grill
Timer	Electronic

## Characteristics

Enamel	Pyrolytic
Light type	LED
Light bulb power [W]	1
Number of door glasses	3

## Electrical connection

Turbo heating element power [W]	2380
Rated voltage (V)	220-240
Rated frequency (Hz)	50/60
Rated power input (W)	2000
Protection against electric shock	Class I

## Accessories

Deep Tray	√
-----------	---