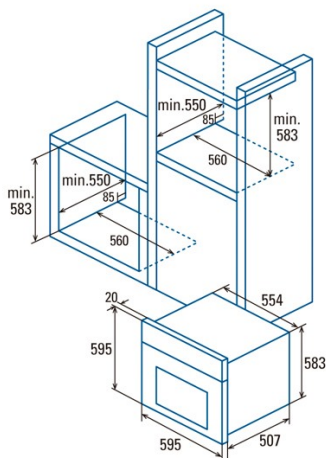




## ME 6206 X

Cod. 07007303

EAN 8422248075886



### INFORMACIÓN GENERAL

EAN/UPC	8422248075886
Subfamily	Multifunction

### Product fiche

Energy efficiency index (IEE)	102
Energy efficiency Class	A
Energy consumption in conventional mode [kWh/cycle]	0,81
Energy consumption in fan-forced mode [kWh/cycle]	0,89
Heat source	Electricity
Mass of the appliance [Kg]	28
Number of cavities	1
Cavity volume (L)	60

### Dimensions

Width (mm)	595
Height (mm)	595
Depth (mm)	507
Built-in width (mm)	560
Built-in height (mm)	583
Built-in depth (mm)	550

### Controls

Control type	Mechanical
Display	No
Number of functions	7
Functions	Top_and_Bottom_heating_with_fan;Double grill with fan;Double Grill;Grill;Top and bottom heating;Bottom heating with fan
Timer	Mechanical
On/Off indicator	-
Thermostat indicator	√
Minimum temperature [°C]	50
Maximum temperature [°C]	250
Thermal probe	-

### Characteristics

Cleaning	Aquasmart Manual
Enamel	Black
Drop down grill	-
Removable inner glass	√
Number of light bulbs	15
Light bulb power [W]	1
Number of door glasses	2
Door manual lock	-
Soft close	-
Cavity type	Flat
Side Racks	√
Levels	5
Telescopic guides	No
Convection fan	√

### Security

Cooling fan	√
Overheating protection	√
Automatic safety shutdown	√
Pyrolysis door lock	-
Pyrolysis lock indicator	-

### Electrical connection

Upper heating element power [W]	900
Lower heating element power [W]	1100

Rated voltage (V)	220-240
Rated frequency (Hz)	50/60
Rated power input (W)	2180
Protection against electric shock	Class I
Power cord length (m)	1,4
Plug type	No plug

---

**Accessories**

Flat tray	-
Deep Tray	√
Steam tray	-
Grill	√
Inner grill	-
Telescopic guides	-
Tray Handle	-
Removable tank	-
Pizza Stone	-
Roast kit	-

---