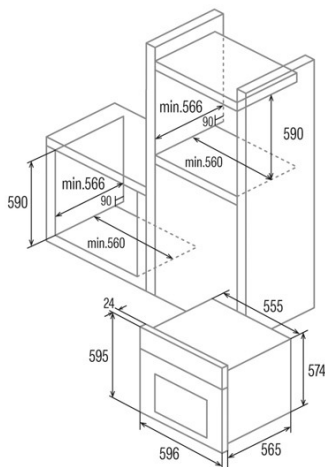
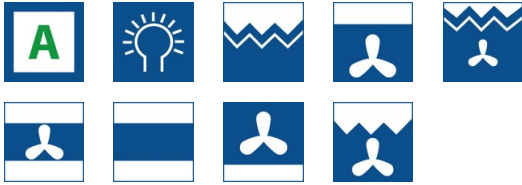




## MRA 7108 WH

Cod. **07035009**

EAN **8422248077033**



### INFORMACIÓN GENERAL

|           |               |
|-----------|---------------|
| EAN/UPC   | 8422248077033 |
| Subfamily | Multifunction |

### Product fiche

|   |             |
|---|-------------|
| Energy efficiency Class                             | A           |
| Energy consumption in conventional mode [kWh/cycle] | 0,76        |
| Energy consumption in fan-forced mode [kWh/cycle]   | 0,75        |
| Heat source   | Electricity |
| Mass of the appliance [Kg]                          | 28          |
| Cavity volume (L)                                   | 60          |

### Dimensions

|                      |     |
|----------------------|-----|
| Width (mm)           | 595 |
| Height (mm)          | 595 |
| Depth (mm)           | 565 |
| Built-in width (mm)  | 560 |
| Built-in height (mm) | 590 |
| Built-in depth (mm)  | 566 |

### Controls

|                          |   |
|--------------------------|---|
| Control type             | Mechanical  |
| Display                  | No  |
| Number of functions      | 7   |
| Functions                | Light;Top heating with fan;Bottom heating and fan;Top and bottom heating with fan;Top and bottom heating;Grill and fan;Double_grill;Double grill with fan |
| Timer                    | Mechanical  |
| On/Off indicator         | -   |
| Thermostat indicator     | √   |
| Minimum temperature [°C] | 40  |
| Maximum temperature [°C] | Ovens   |
| Thermal probe            | -   |

### Characteristics

|                        |       |
|------------------------|-------|
| Cleaning               | No    |
| Enamel                 | Black |
| Drop down grill        | -     |
| Removable inner glass  | √     |
| Number of light bulbs  | 15    |
| Light bulb power [W]   | 1     |
| Number of door glasses | 2     |
| Door manual lock       | -     |
| Soft close             | -     |
| Cavity type            | Flat  |
| Side Racks             | √     |
| Levels                 | 5     |
| Telescopic guides      | No    |
| Convection fan         | √     |

### Security

|                           |   |
|---------------------------|---|
| Cooling fan               | √ |
| Overheating protection    | √ |
| Automatic safety shutdown | √ |
| Pyrolysis door lock       | - |
| Pyrolysis lock indicator  | - |

### Electrical connection

|                                 |      |
|---------------------------------|------|
| Upper heating element power [W] | 1000 |
|---------------------------------|------|

|                                 |         |
|---------------------------------|---------|
| Lower heating element power [W] | 1200    |
| Rated voltage (V)               | 220-240 |
| Rated frequency (Hz)            | 50/60   |
| Rated power input (W)           | 2300    |
| Power cord length (m)           | 1,25    |
| Plug type                       | Type F  |

### Accessories

|                   |     |
|-------------------|-----|
| Flat tray         | √   |
| Deep Tray         | √   |
| Steam tray        | -   |
| Grill             | √   |
| Inner grill       | -   |
| Telescopic guides | -   |
| Tray Handle       | -   |
| Removable tank    | -   |
| Pizza Stone       | -   |
| Roast kit         | -   |
| Lateral Grid      | 640 |