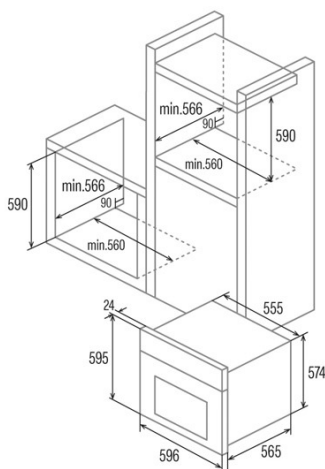
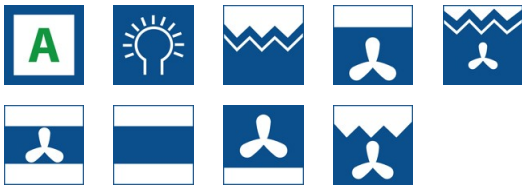




### MRA 7108 BK

Cod. **07035409**

EAN **8422248077026**



#### INFORMACIÓN GENERAL

EAN/UPC	8422248077026
Subfamily	Multifunction

#### Product fiche

Energy efficiency index (IEE)	93,8
Energy efficiency Class	A
Energy consumption in conventional mode [kWh/cycle]	0,76
Energy consumption in fan-forced mode [kWh/cycle]	0,75
Heat source	Electricity
Mass of the appliance [Kg]	28
Number of cavities	1
Cavity volume (L)	60

#### Dimensions

Width (mm)	595
Height (mm)	595
Depth (mm)	565
Built-in width (mm)	560
Built-in height (mm)	590
Built-in depth (mm)	566

#### Controls

Control type	Mechanical
Display	No
Number of functions	7
Functions	Top_heating_with_fan;Double grill with fan;Double_grill;Light;Top and bottom heating with fan;Bottom_heating_and_fan;Grill and fan;Top and bottom heating
Timer	Mechanical
On/Off indicator	-
Thermostat indicator	√
Minimum temperature [°C]	40
Maximum temperature [°C]	240
Thermal probe	-

#### Characteristics

Cleaning	No
Enamel	Black
Drop down grill	-
Removable inner glass	√
Number of light bulbs	15
Light bulb power [W]	1
Number of door glasses	2
Door manual lock	-
Soft close	-
Cavity type	Flat
Side Racks	√
Levels	5
Telescopic guides	No
Convection fan	√

#### Security

Cooling fan	√
Overheating protection	√
Automatic safety shutdown	√
Pyrolysis door lock	-
Pyrolysis lock indicator	-

### Electrical connection

Upper heating element power [W]	1000
Lower heating element power [W]	1200
Rated voltage (V)	220-240
Rated frequency (Hz)	50/60
Rated power input (W)	2300
Protection against electric shock	Class I
Power cord length (m)	1,25
Plug type	Type F

### Accessories

Flat tray	√
Deep Tray	√
Steam tray	-
Grill	√
Inner grill	-
Telescopic guides	-
Tray Handle	-
Removable tank	-
Pizza Stone	-
Roast kit	-