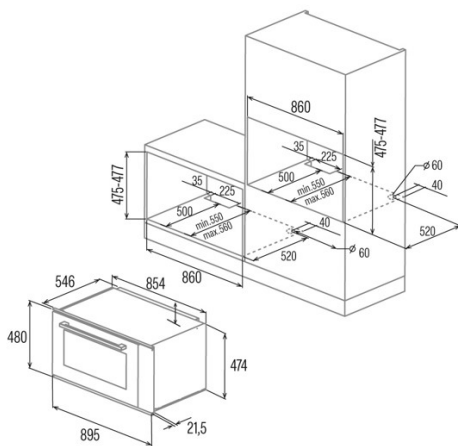
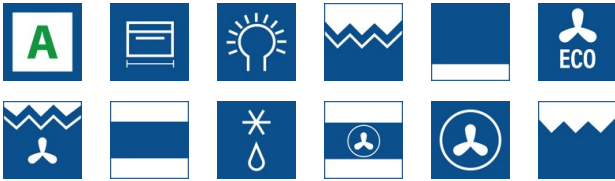




CMD 9208 BK

Cod. 07039305

EAN 8422248093156



INFORMACIÓN GENERAL

| | |
|-----------|---------------|
| EAN/UPC | 8422248093156 |
| Subfamily | Multifunction |

Product fiche

| | |
|---|-------------|
| Energy efficiency index (IEE) | 94 |
| Energy efficiency Class | A |
| Energy consumption in conventional mode [kWh/cycle] | 1,15 |
| Energy consumption in fan-forced mode [kWh/cycle] | 0,9 |
| Heat source | Electricity |
| Mass of the appliance [Kg] | 47,4 |
| Number of cavities | 1 |
| Cavity volume (L) | 93 |

Dimensions

| | |
|----------------------|-----|
| Width (mm) | 895 |
| Height (mm) | 480 |
| Depth (mm) | 546 |
| Built-in width (mm) | 860 |
| Built-in height (mm) | 475 |
| Built-in depth (mm) | 550 |

Controls

| | |
|--------------------------|--|
| Control type | Touch control |
| Display | LCD |
| Number of functions | 10 |
| Functions | Double_grill_with_fan;Defrosting;Grill;D Grill;Turbo heating;Eco;Light;3D cooking;Top and bottom heating;Bottom heating |
| Timer | Electronic |
| On/Off indicator | √ |
| Thermostat indicator | √ |
| Minimum temperature [°C] | 50 |
| Maximum temperature [°C] | 250 |
| Thermal probe | - |

Characteristics

| | |
|------------------------|-------|
| Cleaning | No |
| Enamel | Black |
| Drop down grill | - |
| Removable inner glass | √ |
| Number of light bulbs | 50 |
| Light bulb power [W] | 2 |
| Number of door glasses | 3 |
| Door manual lock | - |
| Soft close | - |
| Cavity type | Flat |
| Side Racks | √ |
| Levels | 5 |
| Telescopic guides | No |
| Convection fan | √ |

Security

| | |
|---------------------------|---|
| Cooling fan | √ |
| Overheating protection | √ |
| Automatic safety shutdown | √ |
| Pyrolysis door lock | - |
| Pyrolysis lock indicator | - |

Electrical connection

| | |
|---------------------------------|------|
| Upper heating element power [W] | 900 |
| Lower heating element power [W] | 1500 |
| Turbo heating element power [W] | 2500 |

| | |
|-----------------------------------|---------|
| Rated voltage (V) | 220-240 |
| Rated frequency (Hz) | 50/60 |
| Rated power input (W) | 2800 |
| Protection against electric shock | Class I |
| Power cord length (m) | 1 |
| Plug type | No plug |

Accessories

| | |
|-------------------|---|
| Flat tray | - |
| Deep Tray | √ |
| Steam tray | - |
| Grill | √ |
| Inner grill | - |
| Telescopic guides | - |
| Tray Handle | - |
| Removable tank | - |
| Pizza Stone | - |
| Roast kit | - |
