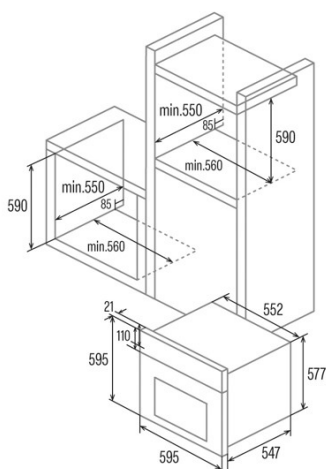
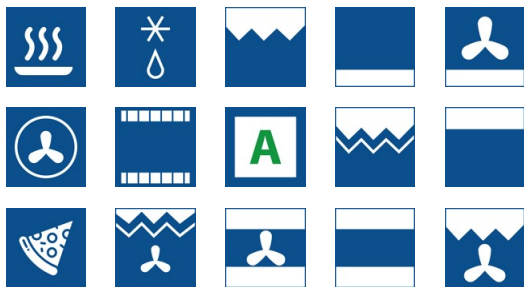




## MT 9011 PRO BK

Cod. **07047400**

EAN **8422248080637**



### INFORMACIÓN GENERAL

EAN/UPC	8422248080637
Subfamily	Multifunction

### Product fiche

Energy efficiency index (IEE)	86,6
Energy efficiency Class	A
Energy consumption in conventional mode [kWh/cycle]	0,71
Energy consumption in fan-forced mode [kWh/cycle]	0,81
Heat source	Electricity
Mass of the appliance [Kg]	39,5
Number of cavities	1
Cavity volume (L)	72

### Dimensions

Width (mm)	595
Height (mm)	595
Depth (mm)	568
Built-in width (mm)	560
Built-in height (mm)	590
Built-in depth (mm)	550

### Controls

Control type	Touch control
Display	TFT
Number of functions	14
Functions	Defrosting; Turbo heating; Bottom heating with fan; Top heating; Bottom heating; Top and bottom heating with fan; Top and bottom heating; Grill; Fast preheat; Double grill with fan; Double Grill; Pizza; Low Temperature; Grill and fan
Timer	Electronic
On/Off indicator	✓
Thermostat indicator	✓
Minimum temperature [°C]	50
Maximum temperature [°C]	250
Thermal probe	-

### Characteristics

Cleaning	Aquasmart Automatic
Enamel	Black
Drop down grill	-
Removable inner glass	✓
Number of light bulbs	25
Light bulb power [W]	1
Number of door glasses	3
Door manual lock	-
Soft close	✓
Cavity type	Flat
Side Racks	✓
Levels	5
Telescopic guides	1
Convection fan	✓

### Security

Cooling fan	✓
Overheating protection	✓
Automatic safety shutdown	✓
Pyrolysis door lock	-
Pyrolysis lock indicator	-

---

**Electrical connection**

Upper heating element power [W]	900
Lower heating element power [W]	1100
Turbo heating element power [W]	2000
Rated voltage (V)	220-240
Rated frequency (Hz)	50/60
Rated power input (W)	2380
Protection against electric shock	Class I
Power cord length (m)	1
Plug type	No plug

---

**Accessories**

Flat tray	√
Deep Tray	√
Steam tray	-
Grill	√
Inner grill	-
Telescopic guides	√
Tray Handle	-
Removable tank	-
Pizza Stone	-
Roast kit	-

---