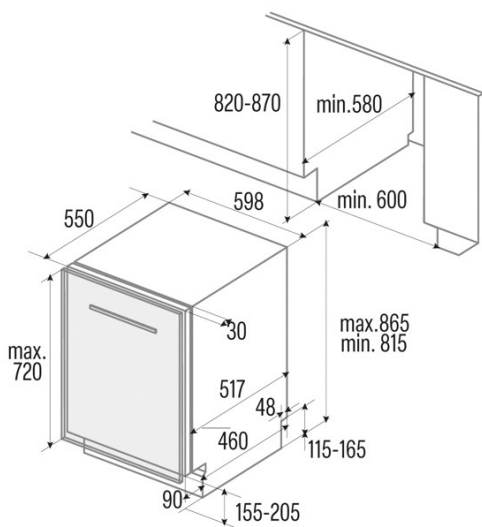




LVI 62012

Cod. **07200079**

EAN **8422248351386**



INFORMACIÓN GENERAL

| | |
|-----------|---------------|
| EAN/UPC | 8422248351386 |
| Subfamily | Built-in |

Power connection

| | |
|-----------------------|---------|
| Rated voltage (V) | 220-240 |
| Rated frequency (Hz) | 50 |
| Rated power input (W) | 1760 |
| Power cord length (m) | 1500 |
| Plug type | Type C |

Product fiche according to EU Regulation 2019/2022 - 2019/2017

| | |
|-----------------------------------|----------|
| Standard place settings | 14 |
| Energy efficiency class | E |
| Power consumption of off-mode [W] | 0 |
| Noise level [dBA] | 47 |
| Installation Type | Built-In |

Control panel

| | |
|-----------------------------|--------------------|
| Type of Control | Soft Touch Buttons |
| Display | LED |
| Salt control indicator | √ |
| Rinse aid control indicator | √ |
| Delay Start | 3-6-9h |
| Remaining Time Indicator | √ |
| Start/Pause | √ |

Programs and functions

| | |
|------------------------------|-------------|
| Number of programs | 8 |
| Program 1 - Name | Intensive |
| Program 1 - Temperature (°C) | 65 |
| Program 2 - Name | Normal |
| Program 2 - Temperature (°C) | 55 |
| Program 3 - Name | Eco |
| Program 3 - Temperature (°C) | 45 |
| Program 4 - Name | Express 90' |
| Program 4 - Temperature (°C) | 60 |
| Program 5 - Name | Glass |
| Program 5 - Temperature (°C) | 50 |
| Program 6 - Name | Quick 30' |
| Program 6 - Temperature (°C) | 45 |
| Program 7 - Name | Automatic |
| Program 7 - Temperature (°C) | 55 |
| Program 7 - Duration (min) | 65 |

Power and water connection

| | |
|-----------------------------|---------|
| Rated voltage (V) | 220-240 |
| Rated frequency (Hz) | 50 |
| Rated power input (W) | 1760 |
| Power cord length (m) | 1500 |
| Plug type | Type C |
| Inlet Water Hose Length (m) | 1500 |
| Drain Water Hose Length (m) | 1400 |

Installation

| | |
|----------------------|-----|
| Width (mm) | 598 |
| Height Min (mm) | 815 |
| Depth (mm) | 550 |
| Adjustable height | √ |
| Built-in width (mm) | 600 |
| Built-in height (mm) | 820 |
| Built-in depth (mm) | 580 |

| | |
|--------------------------|-----|
| Maximum Door height (mm) | 720 |
| Sliding Door | - |
