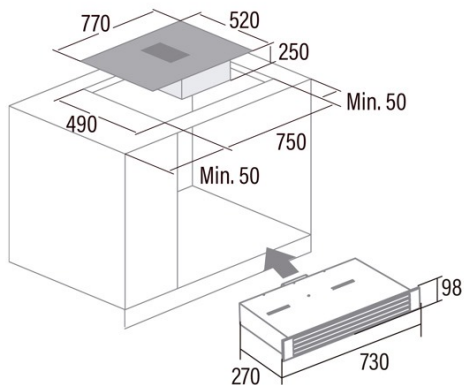
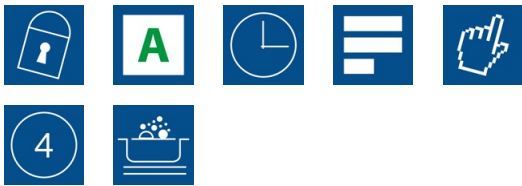


IAS 770

Cod. **08000403**

EAN **8422248102568**



INFORMACIÓN GENERAL

| | |
|-----------|---------------|
| EAN/UPC | 8422248102568 |
| Subfamily | Induction |

Product fiche

| | |
|------------------------------------|----------------------|
| Number of cooking zones | 4 |
| Zone 1: Technology | Induction |
| Zone 1: Zone type | Rectangular Flexible |
| Zone 1: Position | Front Right |
| Zone 1: Diameter of the zone (mm) | 19x19 |
| Zone 1: Power (kW) | 2 |
| Zone 1: Booster (kW) | 2,8 |
| Zone 1: Consumption (Wh / kg) | 206,8 |
| Zone 1B: Diameter of the zone (mm) | N/A |
| Zone 1C: Diameter of the zone (mm) | N/A |
| Zone 2: Technology | Induction |
| Zone 2: Zone type | Rectangular Flexible |
| Zone 2: Position | Rear Right |
| Zone 2: Diameter of the zone (mm) | 19x19 |
| Zone 2: Power (kW) | 1,5 |
| Zone 2: Booster (kW) | 2 |
| Zone 2: Consumption (Wh / kg) | 181,5 |
| Zone 2B: Diameter of the zone (mm) | N/A |
| Zone 2C: Diameter of the zone (mm) | N/A |
| Zone 3: Technology | Induction |
| Zone 3: Zone type | Rectangular Flexible |
| Zone 3: Position | Front Left |
| Zone 3: Diameter of the zone (mm) | 19x19 |
| Zone 3: Power (kW) | 2 |
| Zone 3: Booster (kW) | 2,8 |
| Zone 3: Consumption (Wh / kg) | 194,2 |
| Zone 3B: Diameter of the zone (mm) | N/A |
| Zone 3C: Diameter of the zone (mm) | N/A |
| Zone 4: Technology | Induction |
| Zone 4: Zone type | Rectangular Flexible |
| Zone 4: Position | Rear Left |
| Zone 4: Diameter of the zone (mm) | 19x19 |
| Zone 4: Power (kW) | 1,5 |
| Zone 4: Booster (kW) | 2 |
| Zone 4: Consumption (Wh / kg) | 181,5 |
| Zone 4B: Diameter of the zone (mm) | N/A |
| Zone 4C: Diameter of the zone (mm) | N/A |
| Zone 5: Technology | N/A |
| Zone 5: Diameter of the zone (mm) | N/A |
| Zone 5B: Diameter of the zone (mm) | N/A |
| Zone 5C: Diameter of the zone (mm) | N/A |
| Zone 6: Technology | N/A |
| Zone 6: Diameter of the zone (mm) | N/A |
| Zone 6B: Diameter of the zone (mm) | N/A |
| Zone 6C: Diameter of the zone (mm) | N/A |

Dimensions

| | |
|--------------------------|-----------|
| Width (mm) | 770 |
| Height (mm) | 250 |
| Depth (mm) | 520 |
| Buit-in height (mm) | 750 |
| Built-in depth (mm) | 490 |
| Easy installation System | Quick Fix |

Finishing

| | |
|----------|-------|
| Material | Glass |
| Bevel | Front |

| | |
|------------------|-----|
| Frame | No |
| Cooking supports | N/A |

Control

| | |
|-----------------------------|----------------------|
| Control type | Slider Touch Control |
| Control Position | Front Centre |
| Independent control by zone | √ |
| Hidden control | - |
| Power levels | 9 + Booster |
| Knob type | N/A |
| Cooking time programming | √ |
| Countdown alarm | √ |
| Power management | - |
| Available Power Limits (kW) | No |
| Connectivity | No |
| Auto Ignition | N/A |

Security

| | |
|-----------------------------------|----|
| Security lock | √ |
| Child lock | No |
| Residual heat indicator | √ |
| Automatic detection of cookware | √ |
| Intelligent detection of cookware | √ |
| Automatic safety shutdown | √ |
| Liquid spill protection | √ |
| Safety Valve | - |

Electrical connection

| | |
|-----------------------------------|---------|
| Rated voltage (V) | 220-240 |
| Rated frequency (Hz) | 50/60 |
| Rated power input (W) | 7,33 |
| Multi Phase Connection Option | No |
| Protection against electric shock | Class I |
| Plug type | No plug |