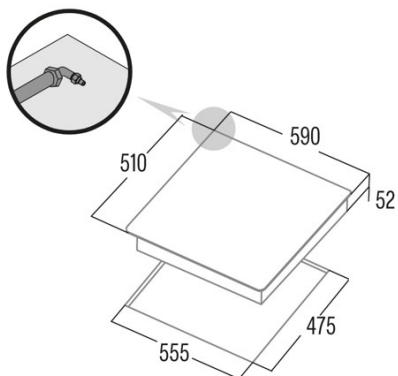


## CCI 6031 BK

Cod. 08041501

EAN 8422248073691



### INFORMACIÓN GENERAL

|           |               |
|-----------|---------------|
| EAN/UPC   | 8422248073691 |
| Subfamily | Gas           |

### Product fiche

|                         |             |
|-------------------------|-------------|
| Number of cooking zones | 4           |
| Zone 1: Technology      | GAS         |
| Zone 1: Zone type       | Triple      |
| Zone 1: Position        | Front Left  |
| Zone 1: Power (kW)      | 3,5         |
| Zone 3: Technology      | GAS         |
| Zone 3: Zone type       | Semirapid   |
| Zone 3: Position        | Rear Left   |
| Zone 3: Power (kW)      | 1,75        |
| Zone 4: Technology      | GAS         |
| Zone 4: Zone type       | Auxiliary   |
| Zone 4: Position        | Front Right |
| Zone 4: Power (kW)      | 1           |
| Zone 5: Technology      | GAS         |
| Zone 5: Zone type       | Semirapid   |
| Zone 5: Position        | Rear Right  |
| Zone 5: Power (kW)      | 1,75        |

### Dimensions

|                          |                 |
|--------------------------|-----------------|
| Width (mm)               | 590             |
| Height (mm)              | 52              |
| Depth (mm)               | 510             |
| Built-in width (mm)      | 555             |
| Built-in depth (mm)      | 475             |
| Easy installation System | Clamping System |

### Finishing

|                  |           |
|------------------|-----------|
| Material         | Glass     |
| Bevel            | No        |
| Frame            | No        |
| Cooking supports | Cast Iron |

### Control

|                             |             |
|-----------------------------|-------------|
| Control type                | Mechanical  |
| Control Position            | Front Right |
| Independent control by zone | √           |
| Hidden control              | -           |
| Power levels                | Gradual     |
| Cooking time programming    | -           |
| Countdown alarm             | -           |
| Power management            | -           |
| Available Power Limits (kW) | No          |
| Connectivity                | No          |
| Auto Ignition               | 220-240V    |

### Security

|                                   |    |
|-----------------------------------|----|
| Security lock                     | -  |
| Child lock                        | No |
| Residual heat indicator           | -  |
| Automatic detection of cookware   | -  |
| Intelligent detection of cookware | -  |
| Automatic safety shutdown         | -  |
| Liquid spill protection           | -  |
| Safety Valve                      | √  |

### Electrical connection

|                   |         |
|-------------------|---------|
| Rated voltage (V) | 220-240 |
|-------------------|---------|

|                                   |          |
|-----------------------------------|----------|
| Rated frequency (Hz)              | 50/60    |
| Rated power input (W)             | 8        |
| Multi Phase Connection Option     | 2 phases |
| Protection against electric shock | Class I  |
| Plug type                         | No plug  |

---

**Accessories**

|                |    |
|----------------|----|
| Barbecue grill | No |
|----------------|----|

---