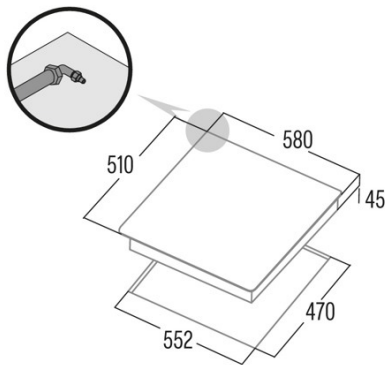




# LGD 631A

Cod. **08066002**

EAN **8422248058735**



## INFORMACIÓN GENERAL

EAN/UPC	8422248058735
Subfamily	Gas

## Product fiche

Number of cooking zones	4
Zone 1: Technology	GAS
Zone 1: Zone type	Triple
Zone 1: Position	Right
Zone 1: Power (kW)	3,5
Zone 2: Technology	GAS
Zone 2: Zone type	Rapid
Zone 2: Position	Left
Zone 2: Power (kW)	3
Zone 3: Technology	GAS
Zone 3: Zone type	Semirapid
Zone 3: Position	Rear Centre
Zone 3: Power (kW)	1,75
Zone 4: Technology	GAS
Zone 4: Zone type	Auxiliary
Zone 4: Position	Front Centre
Zone 4: Power (kW)	1

## Dimensions

Width (mm)	580
Height (mm)	45
Depth (mm)	510
Built-in width (mm)	552
Built-in depth (mm)	470
Easy installation System	Clamping System

## Finishing

Material	Stainless Steel
Bevel	No
Frame	No
Cooking supports	Cast Iron

## Control

Control type	Mechanical
Control Position	Front Centre
Independent control by zone	√
Hidden control	-
Power levels	Gradual
Cooking time programming	-
Countdown alarm	-
Power management	-
Available Power Limits (kW)	No
Connectivity	No
Auto Ignition	220-240V

## Security

Security lock	-
Child lock	No
Residual heat indicator	-
Automatic detection of cookware	-
Intelligent detection of cookware	-
Automatic safety shutdown	-
Liquid spill protection	-
Safety Valve	√

## Electrical connection

Rated voltage (V)	220-240
-------------------	---------

Rated frequency (Hz)	50/60
Rated power input (W)	9,25
Multi Phase Connection Option	2 phases
Protection against electric shock	Class I
Plug type	No plug

---

**Accessories**

Barbecue grill	No
----------------	----

---