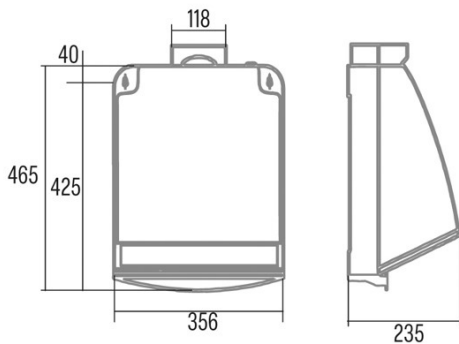




# PROFESSIONAL-750

Cod. 00117000

EAN 8422248100816



## INFORMACIÓN GENERAL

|           |                   |
|-----------|-------------------|
| EAN/UPC   | 8422248100816     |
| Subfamily | Kitchen Extractor |

### Product fiche according to directives EU65/2014 - EN61591, EN60704-2-13, EN50564

|   |      |
|---|------|
| AEC (Energy consumption per year) (kWh/año)   | 57   |
| EEL class (Energy efficiency class)           | D    |
| FDE (Fluid dynamic efficiency)                | 8,7  |
| FDE class (Fluid dynamic efficiency class)    | E    |
| LE class (Light efficiency class)             | N_A  |
| GFE (Grease filtering efficiency)             | 53,7 |
| GFE Class (Grease filtering efficiency class) | F    |
| Normal mode airflow MAX (m3/h)                | 600  |
| Normal mode acustic power MAX (dB)            | 49   |
| Po (Off-mode power consumption) (W)           | 0    |
| Ps (Stand-by power consumption) (W)           | 0    |

### Integration directive EU 66/2014

|   |       |
|---|-------|
| f (Factor Increase in the time)                               | 1,7   |
| EEL (Energy efficiency Index)                                 | 86    |
| QBEP (Maximum airflow point efficiency) (m3/h)                | 278,9 |
| PBEP (Maximum pressure point efficiency) (Pa)                 | 102,9 |
| WBEP (Electrical power consumption at maximum efficiency) (W) | 91,9  |

### External Dimensions

|                           |     |
|---------------------------|-----|
| Width (mm)                | 356 |
| Depth (mm)                | 235 |
| Minimum Total Height (mm) | 650 |
| Outlet Diameter (mm)      | 118 |

### Characteristics

|                                  |       |
|----------------------------------|-------|
| Motor Quantity                   | 1     |
| Maximum Pressure (Pa)            | 190   |
| Free Outlet Airflow (m3/h)       | 600   |
| Filter Technology                | Malla |
| Booster                          | -     |
| Timer                            | -     |
| Filter Saturation Indicator      | -     |
| Charcoal Filter Change Indicator | -     |
| Remote control                   | -     |

### Installation

|  |     |
|--|-----|
| Minimum distance to an electric cooktop (mm) | 65  |
| Minimum distance to a gas cooktop (mm)       | 650 |
| Recirculation Option                         | -   |
| Charcoal Filter                              | -   |
| Back Draught Shutter                         | -   |
| Inner shield                                 | -   |

### Electric Connection

|                                   |         |
|-----------------------------------|---------|
| Rated voltage (V)                 | 230     |
| Rated frequency (Hz)              | 50      |
| Rated power input (W)             | 105     |
| Protection against electric shock | Class I |
| Power cord length (m)             | 0,5     |
| Plug type                         | No plug |

### Accessories

|                                 |     |
|---------------------------------|-----|
| Upper Decorative Duct Extension | N_A |
| White Decorative Duct           | N_A |

|                         |     |
|-------------------------|-----|
| Black Decorative Duct   | N_A |
| Island Tube Enhancer    | N_A |
| Back Draught Shutter    | N_A |
| MAX PRO Metal Filter    | N_A |
| Active Charcoal Filter  | N_A |
| Noiseless Flexible Duct | N_A |
| Recirculating kit       | N_A |