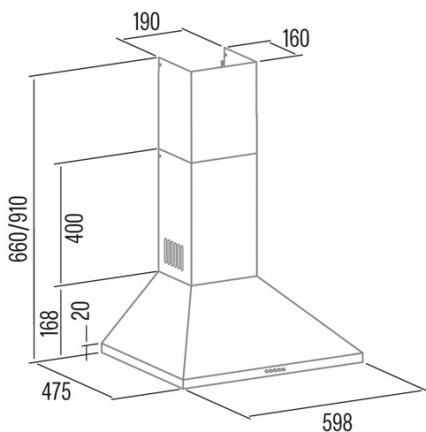




V-6000 X

Cod. 02002397

EAN 8422248106351



INFORMACIÓN GENERAL

EAN/UPC	8422248106351
Subfamily	Chimney

Product fiche according to directives EU65/2014 - EN61591, EN60704-2-13, EN50564

AEC (Energy consumption per year) (kWh/año)	59
EEl class (Energy efficiency class)	C
FDE (Fluid dynamic efficiency)	11,3
FDE class (Fluid dynamic efficiency class)	E
LE (Light efficiency) (lux/W)	28,6
LE class (Light efficiency class)	A
GFE (Grease filtering efficiency)	62,5
GFE Class (Grease filtering efficiency class)	E
Normal mode airflow MIN (m3/h)	318,4
Normal mode airflow MAX (m3/h)	479,5
Normal mode acustic power MIN (dB)	52
Normal mode acustic power MAX (dB)	64
Po (Off-mode power consumption) (W)	0

Integration directive EU 66/2014

f (Factor Increase in the time)	1,6
EEl (Energy efficiency Index)	83,5
QBEP (Maximum airflow point efficiency) (m3/h)	239,7
PBEP (Maximum pressure point efficiency) (Pa)	166
WBEP (Electrical power consumption at maximum efficiency) (W)	97,9
WL (Rated power lighting system) (W)	3
EMIDDLE (Average illuminance on the cooking surface) (lux)	85,8

External Dimensions

Width (mm)	600
Depth (mm)	470
Maximum Total Height (mm)	870
Minimum Total Height (mm)	570
Outlet Diameter (mm)	150, 125

Characteristics

Motor Quantity	1
Maximum Pressure (Pa)	227
Filter Technology	Aluminium mesh
Control Tecnology	Mechanical push button
Booster	-
Timer	-
Filter Saturation Indicator	-
Charcoal Filter Change Indicator	-
Dimmer Function	-
Connectivity	No
Remote control	-
Display	-

Lighting

Light Model	LED E-14
Lightning Technology	LED

Installation

Minimum distance to an electric cooktop (mm)	650
Minimum distance to a gas cooktop (mm)	650
Recirculation Option	√
Charcoal Filter	-
Back Draught Shutter	Included
Inner shield	-

Electric Connection

Rated voltage (V)	220-240
Rated frequency (Hz)	50
Rated power input (W)	123
Protection against electric shock	Class I

Accessories

Upper Decorative Duct Extension	02863304
Active Charcoal Filter	02859496
Noiseless Flexible Duct	02893002