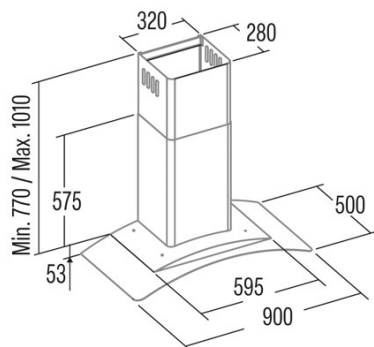




GAMMA 900 GX

Cod. 02008210

EAN 8422248061797



INFORMACIÓN GENERAL

EAN/UPC	8422248061797
Subfamily	Curved Glass

Product fiche according to directives EU65/2014 - EN61591, EN60704-2-13, EN50564

AEC (Energy consumption per year) (kWh/año)	288
EEL class (Energy efficiency class)	A
FDE (Fluid dynamic efficiency)	30,6
LE (Light efficiency) (lux/W)	220-240
LE class (Light efficiency class)	A
GFE (Grease filtering efficiency)	91,2
GFE Class (Grease filtering efficiency class)	B
Normal mode airflow MIN (m3/h)	√
Normal mode airflow MAX (m3/h)	600
Boost mode airflow (m3/h)	800
Normal mode acoustic power MIN (dB)	50
Normal mode acoustic power MAX (dB)	65
Boost mode acoustic power (dB)	FOB Zhongshan (CN)
Po (Off-mode power consumption) (W)	0,26
Ps (Stand-by power consumption) (W)	0

Integration directive EU 66/2014

f (Factor Increase in the time)	0,9
EEL (Energy efficiency Index)	53,7
QBEP (Maximum airflow point efficiency) (m3/h)	416,9
PBEP (Maximum pressure point efficiency) (Pa)	Universal
WBEP (Electrical power consumption at maximum efficiency) (W)	30,7
WL (Rated power lighting system) (W)	7
EMIDDLE (Average illuminance on the cooking surface) (lux)	252

External Dimensions

Depth (mm)	500less steel
Maximum Total Height (mm)	1070
Minimum Total Height (mm)	220
Outlet Diameter (mm)	91,225

Characteristics

Motor Quantity	1
Motor Model	BT3
Filter Technology	Active
Control Technology	PANEL ELECTRONICO
Booster	Plastic
Power levels	3
Timer	√
Filter Saturation Indicator	-
Dimmer Function	-
Display	-

Lighting

Light Model	EcoLed
Lighting Technology	LED930
Light Quantity	1

Installation

Minimum distance to an electric cooktop (mm)	650
Minimum distance to a gas cooktop (mm)	650
Recirculation Option	√
Charcoal Filter	575
Back Draught Shutter	-
Inner shield	-

Electric Connection

Rated voltage (V)	220-240
Rated frequency (Hz)	50
Rated power input (W)	287
Power cord length (m)	1,5
Plug type	American

Accessories

White Decorative Duct	No
Black Decorative Duct	No
Island Tube Enhancer	No
Back Draught Shutter	2832004
MAX PRO Metal Filter	No
Active Charcoal Filter	2859398
Noiseless Flexible Duct	2893002
Recirculating kit	2894001