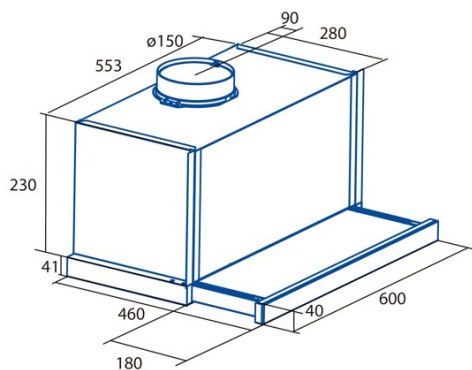




# TFH-7600 GWH

Cod. 02010203

EAN 8422248061940



## INFORMACIÓN GENERAL

EAN/UPC	8422248061940
Subfamily	Telescopic

### Product fiche according to directives EU65/2014 - EN61591, EN60704-2-13, EN50564

AEC (Energy consumption per year) (kWh/año)	32,2
EEL class (Energy efficiency class)	A
FDE (Fluid dynamic efficiency)	28,5
FDE class (Fluid dynamic efficiency class)	A
LE (Light efficiency) (lux/W)	36
LE class (Light efficiency class)	A
GFE (Grease filtering efficiency)	91,2
GFE Class (Grease filtering efficiency class)	B
Normal mode airflow MIN (m3/h)	200
Normal mode airflow MAX (m3/h)	525
Boost mode airflow (m3/h)	710
Normal mode acoustic power MIN (dB)	40
Normal mode acoustic power MAX (dB)	64
Boost mode acoustic power (dB)	67
Po (Off-mode power consumption) (W)	0,41
Ps (Stand-by power consumption) (W)	0

### Integration directive EU 66/2014

f (Factor Increase in the time)	1
EEL (Energy efficiency Index)	52,8
QBEP (Maximum airflow point efficiency) (m3/h)	348,4
PBEP (Maximum pressure point efficiency) (Pa)	224
WBEP (Electrical power consumption at maximum efficiency) (W)	76,1
WL (Rated power lighting system) (W)	7
EMIDDLE (Average illuminance on the cooking surface) (lux)	252

### External Dimensions

Width (mm)	600
Depth (mm)	280
Maximum Total Height (mm)	271
Minimum Total Height (mm)	231
Outlet Diameter (mm)	150, 125

### Characteristics

Motor Quantity	1
Motor Model	BTDCA
Maximum Pressure (Pa)	455
Filter Technology	Aluminium mesh
Control Technology	Electronic Touch Control
Booster	√
Power levels	5
Timer	√
Filter Saturation Indicator	√
Charcoal Filter Change Indicator	-
Dimmer Function	√
Connectivity	-
Remote control	-
Display	Display_grafico

### Lighting

Light Model	EcoLed
Lightning Technology	LED

### Installation

Minimum distance to an electric cooktop (mm)	550
--	-----

Minimum distance to a gas cooktop (mm)	650
Recirculation Option	√
Charcoal Filter	-
Back Draught Shutter	-
Inner shield	√

### Electric Connection

Rated voltage (V)	220-240
Rated frequency (Hz)	50
Rated power input (W)	137
Protection against electric shock	Class II
Power cord length (m)	1,5
Plug type	Type C

### Accessories

Upper Decorative Duct Extension	No
White Decorative Duct	No
Black Decorative Duct	No
Island Tube Enhancer	No
Back Draught Shutter	2832004
MAX PRO Metal Filter	No
Active Charcoal Filter	2825263
Noiseless Flexible Duct	2893002
Recirculating kit	No