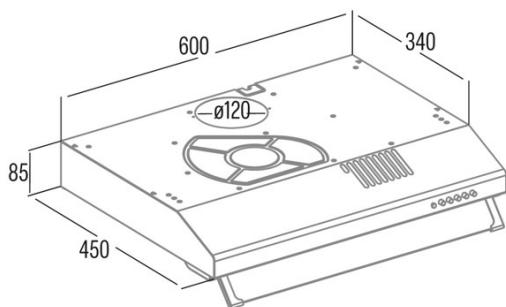




# LF-2060 WH

Cod. 02011017

EAN 8422248105224



## INFORMACIÓN GENERAL

EAN/UPC	8422248105224
Subfamily	Conventional

### Product fiche according to directives EU65/2014 - EN61591, EN60704-2-13, EN50564

AEC (Energy consumption per year) (kWh/año)	45,1
EEl class (Energy efficiency class)	C
FDE (Fluid dynamic efficiency)	9,4
FDE class (Fluid dynamic efficiency class)	E
LE (Light efficiency) (lux/W)	14,5
LE class (Light efficiency class)	D
GFE (Grease filtering efficiency)	79,6
GFE Class (Grease filtering efficiency class)	C
Normal mode airflow MIN (m3/h)	107,5
Normal mode airflow MAX (m3/h)	195,6
Normal mode acustic power MIN (dB)	56
Normal mode acustic power MAX (dB)	69
Po (Off-mode power consumption) (W)	0
Ps (Stand-by power consumption) (W)	0

### Integration directive EU 66/2014

f (Factor Increase in the time)	1,7
EEl (Energy efficiency Index)	82,4
QBEP (Maximum airflow point efficiency) (m3/h)	116,2
PBEP (Maximum pressure point efficiency) (Pa)	192
WBEP (Electrical power consumption at maximum efficiency) (W)	66,2
WL (Rated power lighting system) (W)	5,5
EMIDDLE (Average illuminance on the cooking surface) (lux)	80

### External Dimensions

Width (mm)	600
Depth (mm)	452
Maximum Total Height (mm)	85
Minimum Total Height (mm)	85
Outlet Diameter (mm)	120

### Characteristics

Motor Quantity	1
Motor Model	L1N
Maximum Pressure (Pa)	325
Filter Technology	Aluminium mesh
Control Tecnology	Mechanical push button
Booster	-
Power levels	3
Timer	-
Filter Saturation Indicator	-
Charcoal Filter Change Indicator	-
Dimmer Function	-
Connectivity	-
Remote control	-
Display	-

### Lighting

Light Model	FSL LED
Lightning Technology	LED

### Installation

Minimum distance to an electric cooktop (mm)	550
Minimum distance to a gas cooktop (mm)	650
Recirculation Option	√

Charcoal Filter	-
Back Draught Shutter	-
Inner shield	-

---

#### **Electric Connection**

Rated voltage (V)	220-240
Rated frequency (Hz)	50
Rated power input (W)	65,5
Protection against electric shock	Class I
Plug type	No plug

---

#### **Accessories**

Upper Decorative Duct Extension	No
White Decorative Duct	No
Black Decorative Duct	No
Island Tube Enhancer	No
Back Draught Shutter	2849002
Active Charcoal Filter	2846764

---