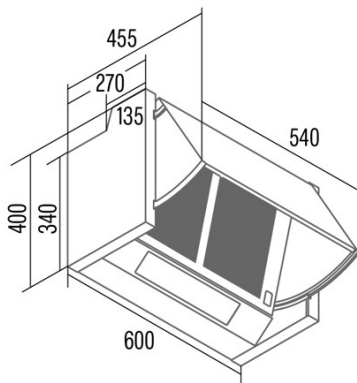




# CPK 6000 GR

Cod. 02025003

EAN 8422248357166



## INFORMACIÓN GENERAL

EAN/UPC	8422248357166
Subfamily	Integrated

### Product fiche according to directives EU65/2014 - EN61591, EN60704-2-13, EN50564

AEC (Energy consumption per year) (kWh/año)	24
EEL class (Energy efficiency class)	B
FDE (Fluid dynamic efficiency)	18,4
FDE class (Fluid dynamic efficiency class)	C
LE (Light efficiency) (lux/W)	15,5
LE class (Light efficiency class)	D
GFE (Grease filtering efficiency)	51,9
GFE Class (Grease filtering efficiency class)	F
Normal mode airflow MIN (m3/h)	140
Normal mode airflow MAX (m3/h)	265
Normal mode acoustic power MIN (dB)	50
Normal mode acoustic power MAX (dB)	63
Po (Off-mode power consumption) (W)	0
Ps (Stand-by power consumption) (W)	0

### Integration directive EU 66/2014

f (Factor Increase in the time)	1,3
EEL (Energy efficiency Index)	56,7
QBEP (Maximum airflow point efficiency) (m3/h)	150
PBEP (Maximum pressure point efficiency) (Pa)	202,5
WBEP (Electrical power consumption at maximum efficiency) (W)	46
WL (Rated power lighting system) (W)	3
EMIDDLE (Average illuminance on the cooking surface) (lux)	46,5

### External Dimensions

Width (mm)	600
Depth (mm)	270
Maximum Total Height (mm)	400
Minimum Total Height (mm)	400
Outlet Diameter (mm)	120

### Characteristics

Motor Quantity	1
Motor Model	K11 250
Maximum Pressure (Pa)	224
Filter Technology	Malla
Control Technology	Mechanical slider
Booster	-
Power levels	3
Timer	-
Filter Saturation Indicator	-
Charcoal Filter Change Indicator	-
Dimmer Function	-
Connectivity	No
Remote control	-
Display	-

### Lighting

Light Model	LED E-14
Lighting Technology	LED

### Installation

Minimum distance to an electric cooktop (mm)	550
Minimum distance to a gas cooktop (mm)	650
Recirculation Option	-

Back Draught Shutter	No
Inner shield	√

---

**Electric Connection**

Rated voltage (V)	220-240
Rated frequency (Hz)	50
Rated power input (W)	68
Protection against electric shock	Class II
Plug type	No plug

---

**Accessories**

Back Draught Shutter	'02849003
Active Charcoal Filter	'02849489

---