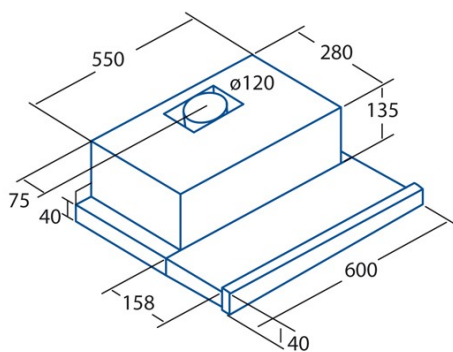




# TF-5060 X

Cod. 02033309

EAN 8422248086059



## INFORMACIÓN GENERAL

EAN/UPC	8422248086059
Subfamily	Telescopic

### Product fiche according to directives EU65/2014 - EN61591, EN60704-2-13, EN50564

AEC (Energy consumption per year) (kWh/año)	No
EEL class (Energy efficiency class)	C
FDE (Fluid dynamic efficiency)	10,4
FDE class (Fluid dynamic efficiency class)	E93002
LE (Light efficiency) (lux/W)	11,8
LE class (Light efficiency class)	D
GFE (Grease filtering efficiency)	59,6
GFE Class (Grease filtering efficiency class)	E
Normal mode airflow MIN (m3/h)	No
Boost mode airflow (m3/h)	-
Normal mode acoustic power MIN (dB)	46
Normal mode acoustic power MAX (dB)	3
Ps (Stand-by power consumption) (W)	0

### Integration directive EU 66/2014

f (Factor Increase in the time)	280
EEL (Energy efficiency Index)	-
QBEP (Maximum airflow point efficiency) (m3/h)	6
PBEP (Maximum pressure point efficiency) (Pa)	180
WBEP (Electrical power consumption at maximum efficiency) (W)	LED
WL (Rated power lighting system) (W)	2
EMIDDLE (Average illuminance on the cooking surface) (lux)	65

### External Dimensions

Width (mm)	600
Depth (mm)	280
Minimum Total Height (mm)	175
Outlet Diameter (mm)	120

### Characteristics

Motor Quantity	1
Motor Model	L1N
Maximum Pressure (Pa)	205
Free Outlet Airflow (m3/h)	350
Control Technology	Mechanical push button
Power levels	3
Filter Saturation Indicator	-
Charcoal Filter Change Indicator	Class II
Dimmer Function	AC/INDUCTION
Connectivity	No plug
Remote control	push_button
Display	-

### Lighting

Light Model	LED E-14
Lighting Technology	LED

### Installation

Minimum distance to an electric cooktop (mm)	550
Minimum distance to a gas cooktop (mm)	650
Charcoal Filter	-
Back Draught Shutter	-
Inner shield	-

### Electric Connection

Rated voltage (V)	220-240
Rated frequency (Hz)	50
Protection against electric shock	Class II
Power cord length (m)	-
Plug type	Type C

---

**Accessories**

Upper Decorative Duct Extension	No
White Decorative Duct	No
Black Decorative Duct	No
Island Tube Enhancer	No
Back Draught Shutter	2849002
MAX PRO Metal Filter	No
Active Charcoal Filter	2846762
Recirculating kit	No

---